

## Basic performance data - WAMAK TBW 54 EVI

Heating - EN 14511		
Heating capacity [kW]	B0 / W35 (max)	55.5 ( 27.8 / 55.5 )
	B0 / W35 (min)	27.8 ( 27.8 / 55.5 )
	B0 / W34	55.5 ( 27.8 / 55.5 )
Electrical power input [kW]	B0 / W35 (max)	12.2 ( 6.0 / 12.2 )
	B0 / W35 (min)	6.0 ( 6.0 / 12.2 )
	B0 / W34	11.9 ( 5.9 / 11.9 )
Heating efficiency faktor [COP]	B0 / W35 (max)	4.56
	B0 / W35 (min)	4.62
	B0 / W34	4.67
Seasonal space heating energy efficiency - SCOP EN 14825		
Average Climate / Low Temperature [35 °C]	SCOP	5.22
	$\eta$ [ % ]	208.9
	Label	A+++
	Qhe [ kWh ]	21909.0
	Pdesignh [ kW ]	55.5
	Tbivalent [ °C ]	-10
Cooling		
Cooling capacity - [kW]	A35 / W23-18	56.8
	A25 / W23-18	60.0
	A35 / W12-7	56.8
	A25 / W12-7	56.8
Seasonal space cooling energy efficiency - SEER EN 14825		
[ W 23 / 18 °C ]	SEER	5.44
	Qce [ kWh ]	5813.5
	$\eta_c$ [ % ]	217.4
Sound EN 12102		
Acoustic power - Lw	dB(A)	58.5
Acoustic pressure - Lp	1 m dB(A)	50.5
	5 m dB(A)	36.5
	10 m dB(A)	30.5
Mechanical and operational information		
Compressor type (3~ 400/50)	SCROLL / 2 /	On/Off
Refrigerant	R410A (GWP - 2088)	6.8 kg
Operating limit temperatures heating - (min / max ) [ °C ]		25 / <b>65</b>
Operating limit temperatures source - (min / max ) [ °C ]		<b>-10 (7)</b> / 30
Weight		420 kg

## Main technical data - WAMAK TBW 54 EVI

Enclosure type			VN1100			Heat energy rejection side data																	
Basic dimensions	Height [mm]	1270	Operating limit temperatures heating	MAX [°C]	65	for more see operating limits diagram	Condenser	Port size	VIC 2.1/2 "														
	Width [mm]	1100		MIN [°C]	25			Type	BPHE														
	Length [mm]	750		Count	1			Material	AISI 316														
Weight [kg]	420		Maximal operating pressure - refrigerant [bar]	50		for more see operating limits diagram	Maximal operating pressure - Water [bar]	6															
Colour	Gray		Testing pressure [bar]	70				Heat transfer medium	Water														
Enclosure IP Class	IP20		Volume flow @ dT 5K (nom) - Water [m3/h]	4.81 ~ 9.61					Internal pressure drop - Water [kPa]	20													
Refrigeration cycle			Refrigerant	R410A	Temperature difference @ 35°C (nom)	5 K				Renewable energy extraction side data	Operating limit temperatures source	MIN [°C]	-10 (7)										
Compressor	Type	Scroll				@ 55°C	8 K							MAX [°C]	30	for more see operating limits diagram	Evaporator	Port size	VIC 2.1/2 "				
	Number of stages	2					@ 65°C	10 K												Type	BPHE		
	On/Off							Count	1													Material	AISI 316
	Power factor Cosφ	0.69																					
	Winding resistance	1.24 Ohm	Brine proportion [%]	29	Antifreeze to [°C]					-15													
Refrigeration oil type	POE RL32-3MAF	Maximal operating pressure - Ethylenglykol [bar]				6					Volume flow - Ethylenglykol [m3/h]	4.94 ~ 9.88											
Oil volume	2 x 3.38 L						Internal pressure drop - Ethylenglykol [kPa]						20	Temperature difference - Ethylenglykol	4 K								
Maximal pressure - refrigerant [bar]	50							Softstart	-							Main safety	C80						
PED class	2																	Control System	Main controller	SIEMENS	RVS 61		
EVI - vapour injection with economizer			Extension module	AVS75.3xx	AVS75.3xx					AVS75.372													
Electrical connection data						Bus Clip-In					Modbus	OCI352											
Line voltage [#~ V/Hz]	3~ 400/50						Online connection						Web server	ToSyMo									
Current	nominal [A]	24.46						Superheat controller	SEC61														
	maximal [A]	42.00																					
	starting [A]	36.42																					

\*\*\* with accessory

## WAMAK TBW 54 EVI

### ErP (EU) No 811/2013: Technical parameters for heat pump space heaters

Model	TBW 54 EVI
Air-to-water heat pump	no
Brine-to-water heat pump	yes
Water-to-water heat pump	no
Low-temperature heat pump	no
Equipped with a supplementary heater	no
Heat pump combination heater	no
Temperature application	low (35°C - 30°C)
Climate conditions	average

Item	Symbol	Value	Unit	Item	Symbol	Value	Unit
Rated heat output at Tdesignh	Prated	55.5	kW	Seasonal space heating energy efficiency	$\eta_s$	208.9	%
Declared capacity for heating for part load at indoor temperature 20 °C and outdoor temperature Tj				Declared coefficient of performance or primary energy ratio for part load at indoor temperature 20 °C and outdoor temperature Tj			
Tj = -7 °C	Pdh	55.5	kW	Tj = -7 °C	COPd	4.67	-
Tj = +2 °C	Pdh	55.4	kW	Tj = +2 °C	COPd	5.1	-
Tj = +7 °C	Pdh	55.3	kW	Tj = +7 °C	COPd	5.6	-
Tj = +12 °C	Pdh	55.2	kW	Tj = +12 °C	COPd	6.0	-
Tj = bivalent temperature	Pdh	55.5	kW	Tj = bivalent temperature	COPd	4.6	-
Tj = operation limit temperature	Pdh	---	kW	Tj = operation limit temperature	COPd	---	-
Bivalent temperature	Tbiv	-10	°C	Tj = operation limit temperature	TOL	---	°C
Power consumption in modes other than active mode				Heating water operating limit temperature	WTOL	65	°C
Off mode	Poff	0.010	kW	Supplementary heater			
Thermostat-off mode	Pto	0.010	kW	Rated heat output	Psup	10.6	kW
Standby mode	Psb	0.010	kW	Type of energy input	electricity		
Crankcase heater mode	Pck	0.000	kW				
Other items							
Capacity control	multi-stage			For air-to-water heat pumps: Rated air flow rate, outdoors	-	---	m <sup>3</sup> /h
Sound power level				For water- or brine-to-water heat pumps: Rated brine or water flow rate, outdoor heat exchanger	-	4.94 ~ 9.88	m <sup>3</sup> /h
indoors	Lwa	59	dB				
outdoors	Lwa	---	dB				
Annual energy consumption	Q <sub>HE</sub>	21909.0	kWh				

**Contact details:** WAMAK, s.r.o., Orovnicna 252, 96652, Orovnicna, Slovakia, info@wamak.sk

# WAMAK TBW 54 EVI

## ErP (EU) No 811/2013: Technical parameters for heat pump space heaters

Model	TBW 54 EVI
Air-to-water heat pump	no
Brine-to-water heat pump	yes
Water-to-water heat pump	no
Low-temperature heat pump	no
Equipped with a supplementary heater	no
Heat pump combination heater	no
Temperature application	middle (55°C - 47°C)
Climate conditions	average

Item	Symbol	Value	Unit	Item	Symbol	Value	Unit
Rated heat output at Tdesignh	Prated	56.2	kW	Seasonal space heating energy efficiency	$\eta_s$	163.0	%
Declared capacity for heating for part load at indoor temperature 20 °C and outdoor temperature Tj				Declared coefficient of performance or primary energy ratio for part load at indoor temperature 20 °C and outdoor temperature Tj			
Tj = -7 °C	Pdh	56.6	kW	Tj = -7 °C	COPd	3.26	-
Tj = +2 °C	Pdh	57.0	kW	Tj = +2 °C	COPd	4.2	-
Tj = +7 °C	Pdh	56.2	kW	Tj = +7 °C	COPd	4.7	-
Tj = +12 °C	Pdh	56.1	kW	Tj = +12 °C	COPd	5.2	-
Tj = bivalent temperature	Pdh	56.2	kW	Tj = bivalent temperature	COPd	2.8	-
Tj = operation limit temperature	Pdh	---	kW	Tj = operation limit temperature	COPd	---	-
Bivalent temperature	Tbiv	-10	°C	Tj = operation limit temperature	TOL	---	°C
Power consumption in modes other than active mode				Heating water operating limit temperature	WTOL	65	°C
Off mode	Poff	0.010	kW	Supplementary heater			
Thermostat-off mode	Pto	0.010	kW	Rated heat output	Psup	10.6	kW
Standby mode	Psb	0.010	kW	Type of energy input	electricity		
Crankcase heater mode	Pck	0.000	kW				
Other items				For air-to-water heat pumps: Rated air flow rate, outdoors	-	---	m <sup>3</sup> /h
Capacity control	multi-stage			For water- or brine-to-water heat pumps: Rated brine or water flow rate, outdoor heat exchanger	-	4.94 ~ 9.88	m <sup>3</sup> /h
Sound power level							
indoors	Lwa	59	dB				
outdoors	Lwa	---	dB				
Annual energy consumption	Q <sub>HE</sub>	28447.1	kWh				

**Contact details:** WAMAK, s.r.o., Orovnicna 252, 96652, Orovnicna, Slovakia, info@wamak.sk



**ENERG** Y IIA  
 енергия - ενεργεια IE IA



TBW 54 EVI



55 °C

35 °C



A+++

A+++



59 dB



--- dB

■ 60  
 ■ 57  
 ■ 56  
 kW

■ 57  
 ■ 56  
 ■ 53  
 kW



2019

811/2013

TBW 54 EVI

ErP Data

	55 °C	35 °C
Energy class	A+++	A+++
$\eta$ [%]	163.0	208.9
$P_{rated}$ [kW]	57	56
$Q_{HE}$ [kWh/y]	28448	21909
SCOP [-]	4.08	5.22
$T_{bivalent}$ [°C]	-10	-10

CONTROLLER



+ QAA55/75  
 - QAA55/75

class VII  
 class III

3.5% ↓  
 1.5% ↓

Heating performance data

Version: v2024.010-BW-WW

Source - Brine [0°C] / Low Temperature [35°C]

ZHI27K1P-TFD\_R410A\_2\_BWW

Operating conditions		Qh	P	COP
1	B0 / W30-35	55.5	12.2	4.56
2	B0 / W30-35 ( MIN )	27.8	6.0	4.62
A	B0 / Wxx-34	55.5	11.9	4.67
B	B0 / Wxx-30	55.4	10.8	5.13
C	B0 / Wxx-27	27.7	5.0	5.58
D	B0 / Wxx-24	27.6	4.6	6.00
E	B0 / Wxx-35	55.5	12.2	4.56
F	B0 / Wxx-35	55.5	12.2	4.56

SCOP DATA EN 14825:2018	
Source - Brine [0°C] / Low Temperature [35°C]	
SCOPon	5.23
SCOPnet	5.23
SCOP	5.22
η [ % ]	208.94
Label	A+++
Qh [ kWh ]	21909
Pdesignh [ kW ]	55.5
Tbivalent [ °C ]	-10

Source - Brine [0°C] / Medium Temperature [55°C]

Operating conditions		Qh	P	COP
1	B0 / W47-55	56.2	20.0	2.82
2	B0 / W47-55 ( MIN )	28.1	9.7	2.86
A	B0 / Wxx-52	56.6	18.0	3.26
B	B0 / Wxx-42	57.0	13.7	4.21
C	B0 / Wxx-36	28.1	5.9	4.74
D	B0 / Wxx-30	28.1	5.3	5.27
E	B0 / Wxx-55	56.2	20.0	2.82
F	B0 / Wxx-54	56.7	18.5	3.07

SCOP DATA EN 14825:2018	
Source - Brine [0°C] / Medium Temperature [55°C]	
SCOPon	4.08
SCOPnet	4.08
SCOP	4.08
η [ % ]	163.01
Label	A+++
Qh [ kWh ]	28447
Pdesignh [ kW ]	56.2
Tbivalent [ °C ]	-10

Source - Water [10°C] / Low Temperature [35°C]

Operating conditions		Qh	P	COP
1	W10 / W30-35	70.3	11.6	6.04
2	W10 / W30-35 ( MIN )	35.2	5.7	6.12
A	W10 / Wxx-34	70.3	11.3	6.21
B	W10 / Wxx-30	70.3	10.1	6.95
C	W10 / Wxx-27	70.2	9.3	7.69
D	W10 / Wxx-24	70.0	8.4	8.44
E	W10 / Wxx-35	70.3	11.6	6.04
F	W10 / Wxx-35	70.3	11.6	6.04

SCOP DATA EN 14825:2018	
Source - Water [10°C] / Low Temperature [35°C]	
SCOPon	7.12
SCOPnet	7.12
SCOP	7.10
η [ % ]	284.18
Label	A+++
Qh [ kWh ]	20401
Pdesignh [ kW ]	70.3
Tbivalent [ °C ]	-10.00

**Source - Water [10°C] / Medium Temperature [55°C]**

	Operating conditions	Qh	P	COP
1	W10 / W47-55	70.1	19.8	3.55
2	W10 / W47-55 ( MIN )	35.0	9.7	3.60
A	W10 / Wxx-52	70.8	17.8	3.99
B	W10 / Wxx-42	71.1	13.3	5.35
C	W10 / Wxx-36	71.1	11.4	6.30
D	W10 / Wxx-30	71.1	10.1	7.16
E	W10 / Wxx-55	70.1	19.8	3.55
F	W10 / Wxx-55	70.1	19.8	3.55

SCOP DATA EN 14825:2018	
<b>Source - Water [10°C] / Medium Temperature [55°C]</b>	
SCOPon	5.22
SCOPnet	5.22
SCOP	5.22
η [ % ]	208.65
Label	A+++
Qh [ kWh ]	27721
Pdesignh [ kW ]	70.1
Tbivalent [ °C ]	-10.00

**Low temperature cooling W 12 / 7°C**

	Operating conditions	Qc	P	EER
A	W30-35 / W12-7	43.4	13.1	3.31
B	W26-xx / W12-7	44.4	11.9	3.73
C	W22-xx / W12-7	45.3	10.8	4.19
D	W18-xx / W12-7	45.8	10.3	4.44

SEER DATA EN 14825:2018 [ W 12 / 7°C ]	
SEERon	4.05
SEER	4.05
Qc [ kWh ]	25140
η [ % ]	161.91

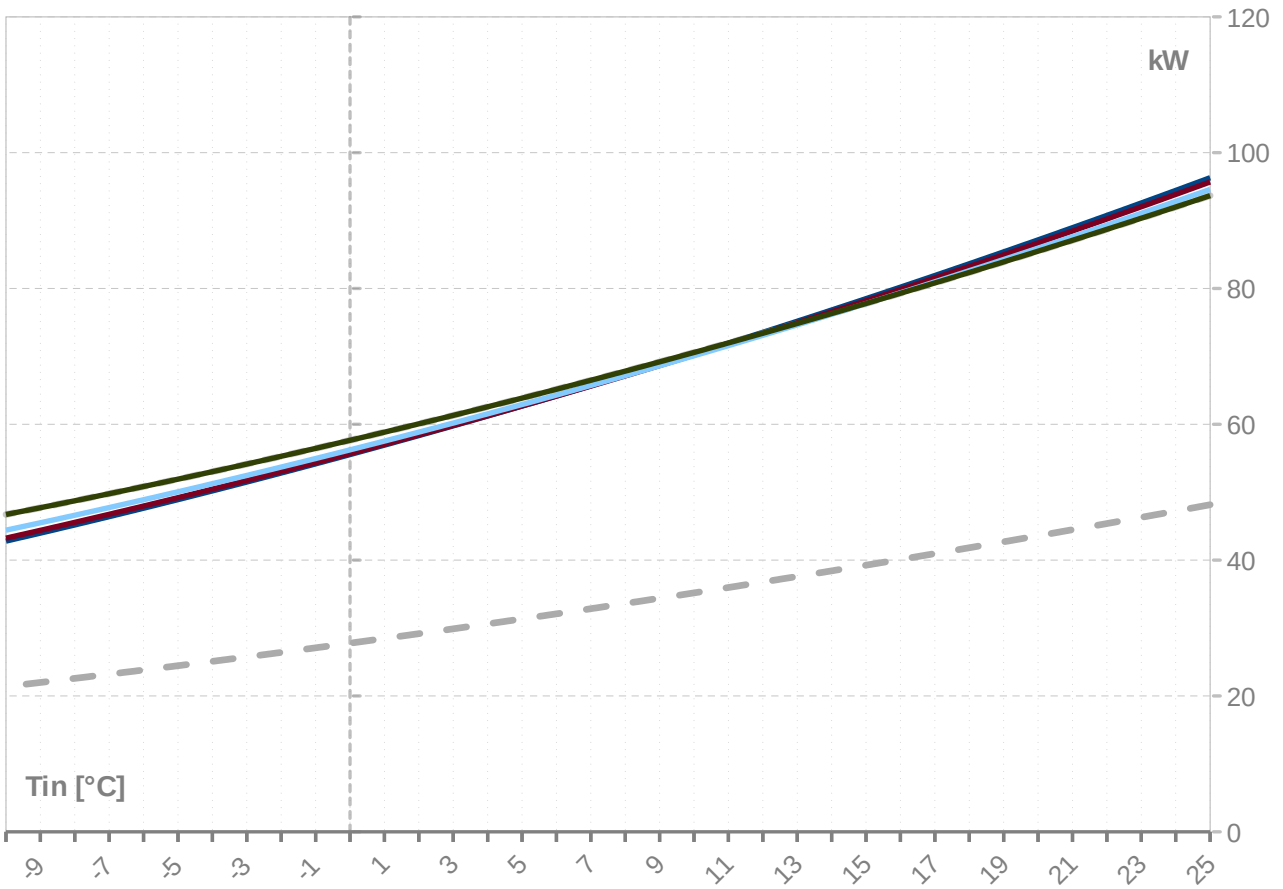
**Radiant cooling W 23 / 18°C**

	Operating conditions	Qc	P	EER
A	W50-xx / W23-18	50.2	21.6	2.33
B	W40-xx / W23-18	54.8	16.7	3.28
C	W30-35 / W23-18	58.5	13.1	4.47
D	W26-xx / W23-18	59.8	11.9	5.02

SEER DATA EN 14825:2018 [ W 23 / 18°C ]	
SEERon	5.44
SEER	5.44
Qc [ kWh ]	25140
η [ % ]	217.40

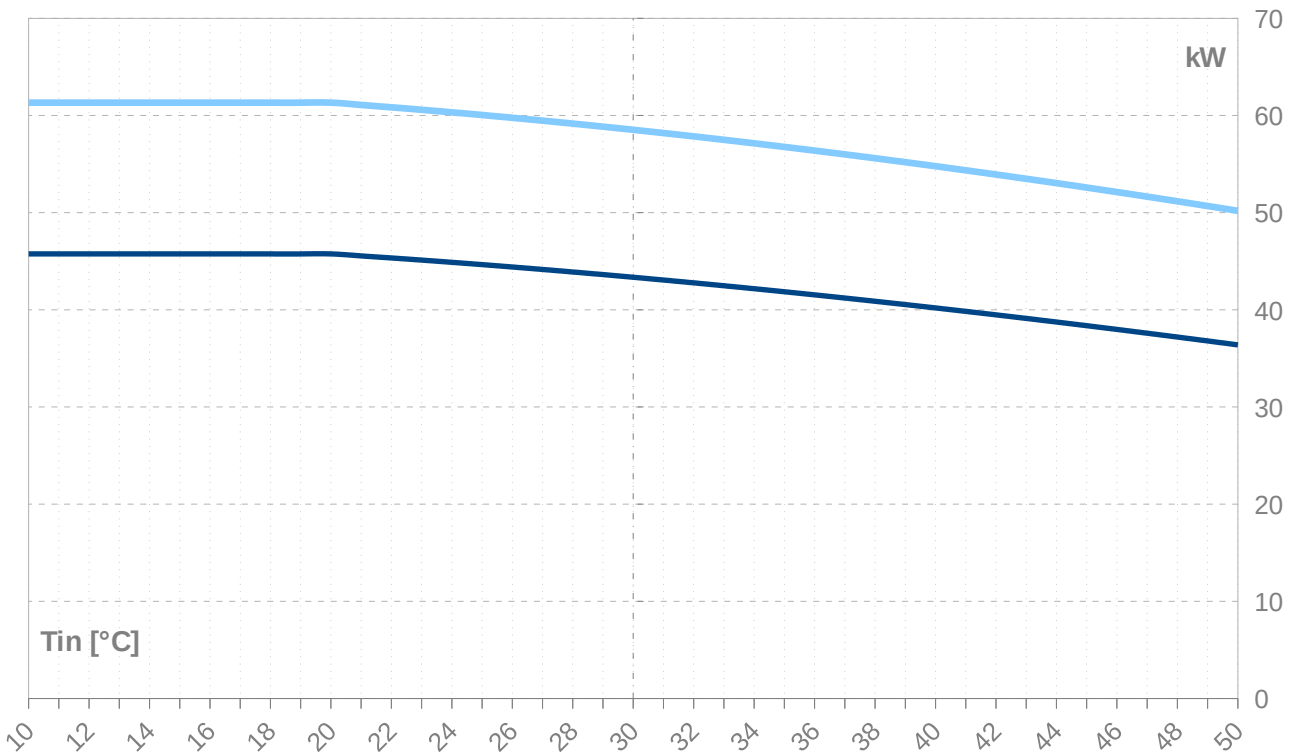
Performance lines - heating

- Qh-nom-35    - - - Qh-min-35    - - - - - Qh-max-65    — Qh-nom-45    — Qh-nom-55
- Qh-nom-65



Performance lines - cooling

- Qc-nom-12-7    — Qc-nom-23-18



Th -OU	35										
[°C]	Qh nom [kW]	Qh min [kW]	Qh max [kW]	Pin nom [kW]	Pin min [kW]	Pin max [kW]	COP nom kW / kW	Qc nom [kW]	Qc min [kW]	Qc max [kW]	I nom [A]
25	96.3	48.2	96.3	9.6	4.7	9.6	10.07	87.4	43.7	87.4	22.5
24	94.4	47.2	94.4	9.8	4.8	9.8	9.68	85.3	42.7	85.3	22.6
23	92.6	46.3	92.6	9.9	4.9	9.9	9.31	83.3	41.6	83.3	22.7
22	90.8	45.4	90.8	10.1	5.0	10.1	8.96	81.3	40.7	81.3	22.9
21	88.9	44.5	88.9	10.3	5.1	10.3	8.64	79.3	39.7	79.3	23.0
20	87.2	43.6	87.2	10.5	5.2	10.5	8.33	77.4	38.7	77.4	23.1
19	85.4	42.7	85.4	10.6	5.2	10.6	8.05	75.5	37.7	75.5	23.2
18	83.6	41.8	83.6	10.8	5.3	10.8	7.77	73.6	36.8	73.6	23.3
17	81.9	41.0	81.9	10.9	5.4	10.9	7.52	71.7	35.9	71.7	23.5
16	80.2	40.1	80.2	11.0	5.4	11.0	7.27	69.9	34.9	69.9	23.6
15	78.5	39.3	78.5	11.1	5.5	11.1	7.04	68.1	34.0	68.1	23.7
14	76.8	38.4	76.8	11.3	5.6	11.3	6.82	66.3	33.2	66.3	23.8
13	75.2	37.6	75.2	11.4	5.6	11.4	6.61	64.6	32.3	64.6	23.8
12	73.5	36.8	73.5	11.5	5.7	11.5	6.41	62.8	31.4	62.8	23.9
11	71.9	36.0	71.9	11.6	5.7	11.6	6.22	61.1	30.6	61.1	24.0
10	70.3	35.2	70.3	11.6	5.7	11.6	6.04	59.5	29.7	59.5	24.1
9	68.8	34.4	68.8	11.7	5.8	11.7	5.87	57.8	28.9	57.8	24.2
8	67.2	33.6	67.2	11.8	5.8	11.8	5.70	56.2	28.1	56.2	24.3
7	65.7	32.8	65.7	11.9	5.9	11.9	5.54	54.6	27.3	54.6	24.3
6	64.2	32.1	64.2	11.9	5.9	11.9	5.38	53.0	26.5	53.0	24.4
5	62.7	31.3	62.7	12.0	5.9	12.0	5.23	51.5	25.7	51.5	24.5
4	61.2	30.6	61.2	12.0	5.9	12.0	5.09	50.0	25.0	50.0	24.5
3	59.8	29.9	59.8	12.1	6.0	12.1	4.95	48.5	24.2	48.5	24.6
2	58.3	29.2	58.3	12.1	6.0	12.1	4.81	47.0	23.5	47.0	24.6
1	56.9	28.5	56.9	12.2	6.0	12.2	4.68	45.6	22.8	45.6	24.7
0	55.5	27.8	55.5	12.2	6.0	12.2	4.56	44.2	22.1	44.2	24.7
-1	54.2	27.1	54.2	12.2	6.0	12.2	4.44	42.8	21.4	42.8	24.7
-2	52.8	26.4	52.8	12.2	6.0	12.2	4.32	41.4	20.7	41.4	24.8
-3	51.5	25.7	51.5	12.3	6.0	12.3	4.20	40.1	20.0	40.1	24.8
-4	50.2	25.1	50.2	12.3	6.1	12.3	4.09	38.7	19.4	38.7	24.8
-5	48.9	24.5	48.9	12.3	6.1	12.3	3.98	37.4	18.7	37.4	24.9
-6	47.6	23.8	47.6	12.3	6.1	12.3	3.88	36.2	18.1	36.2	24.9
-7	46.4	23.2	46.4	12.3	6.1	12.3	3.77	34.9	17.5	34.9	24.9
-8	45.2	22.6	45.2	12.3	6.1	12.3	3.67	33.7	16.8	33.7	24.9
-9	44.0	22.0	44.0	12.3	6.1	12.3	3.58	32.5	16.2	32.5	24.9
-10	42.8	21.4	42.8	12.3	6.1	12.3	3.48	31.3	15.7	31.3	24.9
-11	41.6	20.8	41.6	12.3	6.1	12.3	3.39	30.2	15.1	30.2	24.9
-12	40.5	20.2	40.5	12.3	6.1	12.3	3.30	29.0	14.5	29.0	24.9
-13	39.4	19.7	39.4	12.3	6.1	12.3	3.21	27.9	14.0	27.9	24.9
-14	38.3	19.1	38.3	12.3	6.1	12.3	3.12	26.8	13.4	26.8	24.9
-15	37.2	18.6	37.2	12.3	6.0	12.3	3.04	25.8	12.9	25.8	24.9

-- attention: operating limits not reflected in performance table

ZHI27K1P-TFD\_R410A\_2\_BWW

Th -OU	45										
[°C]	Qh nom [kW]	Qh min [kW]	Qh max [kW]	Pin nom [kW]	Pin min [kW]	Pin max [kW]	COP nom kW / kW	Qc nom [kW]	Qc min [kW]	Qc max [kW]	I nom [A]
25	95.7	47.8	95.7	13.4	6.6	13.4	7.12	83.1	41.6	83.1	26.1
24	93.8	46.9	93.8	13.6	6.7	13.6	6.90	81.1	40.6	81.1	26.3
23	92.0	46.0	92.0	13.7	6.8	13.7	6.70	79.2	39.6	79.2	26.4
22	90.2	45.1	90.2	13.9	6.8	13.9	6.50	77.3	38.6	77.3	26.6
21	88.5	44.2	88.5	14.0	6.9	14.0	6.31	75.4	37.7	75.4	26.7
20	86.7	43.3	86.7	14.1	7.0	14.1	6.13	73.5	36.7	73.5	26.8
19	85.0	42.5	85.0	14.3	7.0	14.3	5.96	71.6	35.8	71.6	26.9
18	83.2	41.6	83.2	14.4	7.1	14.4	5.80	69.8	34.9	69.8	27.0
17	81.5	40.8	81.5	14.5	7.1	14.5	5.64	68.0	34.0	68.0	27.1
16	79.9	39.9	79.9	14.6	7.2	14.6	5.49	66.3	33.1	66.3	27.3
15	78.2	39.1	78.2	14.6	7.2	14.6	5.34	64.5	32.3	64.5	27.4
14	76.6	38.3	76.6	14.7	7.3	14.7	5.20	62.8	31.4	62.8	27.4
13	74.9	37.5	74.9	14.8	7.3	14.8	5.06	61.1	30.6	61.1	27.5
12	73.3	36.7	73.3	14.9	7.3	14.9	4.93	59.4	29.7	59.4	27.6
11	71.8	35.9	71.8	14.9	7.4	14.9	4.81	57.8	28.9	57.8	27.7
10	70.2	35.1	70.2	15.0	7.4	15.0	4.68	56.2	28.1	56.2	27.8
9	68.7	34.3	68.7	15.0	7.4	15.0	4.56	54.6	27.3	54.6	27.9
8	67.1	33.6	67.1	15.1	7.4	15.1	4.45	53.0	26.5	53.0	27.9
7	65.6	32.8	65.6	15.1	7.5	15.1	4.34	51.5	25.7	51.5	28.0
6	64.1	32.1	64.1	15.2	7.5	15.2	4.23	50.0	25.0	50.0	28.0
5	62.7	31.3	62.7	15.2	7.5	15.2	4.12	48.5	24.2	48.5	28.1
4	61.2	30.6	61.2	15.2	7.5	15.2	4.02	47.0	23.5	47.0	28.2
3	59.8	29.9	59.8	15.3	7.5	15.3	3.92	45.6	22.8	45.6	28.2
2	58.4	29.2	58.4	15.3	7.5	15.3	3.82	44.1	22.1	44.1	28.2
1	57.0	28.5	57.0	15.3	7.5	15.3	3.73	42.8	21.4	42.8	28.3
0	55.7	27.8	55.7	15.3	7.6	15.3	3.63	41.4	20.7	41.4	28.3
-1	54.3	27.2	54.3	15.3	7.6	15.3	3.54	40.0	20.0	40.0	28.3
-2	53.0	26.5	53.0	15.3	7.6	15.3	3.46	38.7	19.4	38.7	28.4
-3	51.7	25.9	51.7	15.3	7.6	15.3	3.37	37.4	18.7	37.4	28.4
-4	50.5	25.2	50.5	15.4	7.6	15.4	3.29	36.1	18.1	36.1	28.4
-5	49.2	24.6	49.2	15.4	7.6	15.4	3.20	34.9	17.4	34.9	28.4
-6	48.0	24.0	48.0	15.4	7.6	15.4	3.12	33.6	16.8	33.6	28.4
-7	46.7	23.4	46.7	15.4	7.6	15.4	3.05	32.4	16.2	32.4	28.4
-8	45.6	22.8	45.6	15.3	7.6	15.3	2.97	31.2	15.6	31.2	28.4
-9	44.4	22.2	44.4	15.3	7.6	15.3	2.89	30.1	15.0	30.1	28.4
-10	43.2	21.6	43.2	15.3	7.6	15.3	2.82	28.9	14.5	28.9	28.4
-11	42.1	21.1	42.1	15.3	7.6	15.3	2.75	27.8	13.9	27.8	28.4
-12	41.0	20.5	41.0	15.3	7.6	15.3	2.68	26.7	13.3	26.7	28.4
-13	39.9	20.0	39.9	15.3	7.6	15.3	2.61	25.6	12.8	25.6	28.4
-14	38.8	19.4	38.8	15.3	7.5	15.3	2.54	24.6	12.3	24.6	28.3
-15	37.8	18.9	37.8	15.3	7.5	15.3	2.47	23.5	11.8	23.5	28.3

-- attention: operating limits not reflected in performance table

Th -OU		55										
Ts -IN	Qh nom	Qh min	Qh max	Pin nom	Pin min	Pin max	COP nom	Qc nom	Qc min	Qc max	I nom	
[°C]	[kW]	[kW]	[kW]	[kW]	[kW]	[kW]	kW / kW	[kW]	[kW]	[kW]	[A]	
25	<b>94.6</b>	47.3	94.6	<b>18.6</b>	9.2	18.6	<b>5.08</b>	77.2	38.6	77.2	32.1	
24	<b>92.8</b>	46.4	92.8	<b>18.7</b>	9.2	18.7	<b>4.95</b>	75.3	37.7	75.3	32.2	
23	<b>91.1</b>	45.5	91.1	<b>18.9</b>	9.3	18.9	<b>4.83</b>	73.5	36.7	73.5	32.4	
22	<b>89.3</b>	44.7	89.3	<b>19.0</b>	9.4	19.0	<b>4.71</b>	71.6	35.8	71.6	32.5	
21	<b>87.6</b>	43.8	87.6	<b>19.1</b>	9.4	19.1	<b>4.60</b>	69.8	34.9	69.8	32.6	
20	<b>85.9</b>	43.0	85.9	<b>19.1</b>	9.4	19.1	<b>4.49</b>	68.1	34.0	68.1	32.7	
19	<b>84.3</b>	42.1	84.3	<b>19.2</b>	9.5	19.2	<b>4.38</b>	66.3	33.2	66.3	32.9	
18	<b>82.6</b>	41.3	82.6	<b>19.3</b>	9.5	19.3	<b>4.28</b>	64.6	32.3	64.6	33.0	
17	<b>81.0</b>	40.5	81.0	<b>19.4</b>	9.6	19.4	<b>4.18</b>	62.9	31.4	62.9	33.1	
16	<b>79.4</b>	39.7	79.4	<b>19.5</b>	9.6	19.5	<b>4.08</b>	61.2	30.6	61.2	33.2	
15	<b>77.8</b>	38.9	77.8	<b>19.5</b>	9.6	19.5	<b>3.99</b>	59.5	29.8	59.5	33.3	
14	<b>76.2</b>	38.1	76.2	<b>19.6</b>	9.7	19.6	<b>3.89</b>	57.9	29.0	57.9	33.4	
13	<b>74.6</b>	37.3	74.6	<b>19.6</b>	9.7	19.6	<b>3.80</b>	56.3	28.2	56.3	33.4	
12	<b>73.1</b>	36.6	73.1	<b>19.7</b>	9.7	19.7	<b>3.72</b>	54.7	27.4	54.7	33.5	
11	<b>71.6</b>	35.8	71.6	<b>19.7</b>	9.7	19.7	<b>3.63</b>	53.2	26.6	53.2	33.6	
10	<b>70.1</b>	35.0	70.1	<b>19.8</b>	9.7	19.8	<b>3.55</b>	51.6	25.8	51.6	33.7	
9	<b>68.6</b>	34.3	68.6	<b>19.8</b>	9.8	19.8	<b>3.47</b>	50.1	25.1	50.1	33.7	
8	<b>67.2</b>	33.6	67.2	<b>19.8</b>	9.8	19.8	<b>3.39</b>	48.7	24.3	48.7	33.8	
7	<b>65.7</b>	32.9	65.7	<b>19.8</b>	9.8	19.8	<b>3.31</b>	47.2	23.6	47.2	33.8	
6	<b>64.3</b>	32.2	64.3	<b>19.9</b>	9.8	19.9	<b>3.24</b>	45.8	22.9	45.8	33.9	
5	<b>62.9</b>	31.5	62.9	<b>19.9</b>	9.8	19.9	<b>3.16</b>	44.3	22.2	44.3	33.9	
4	<b>61.5</b>	30.8	61.5	<b>19.9</b>	9.8	19.9	<b>3.09</b>	42.9	21.5	42.9	34.0	
3	<b>60.2</b>	30.1	60.2	<b>19.9</b>	9.8	19.9	<b>3.02</b>	41.6	20.8	41.6	34.0	
2	<b>58.8</b>	29.4	58.8	<b>19.9</b>	9.8	19.9	<b>2.95</b>	40.2	20.1	40.2	34.0	
1	<b>57.5</b>	28.8	57.5	<b>19.9</b>	9.8	19.9	<b>2.88</b>	38.9	19.4	38.9	34.0	
0	<b>56.2</b>	28.1	56.2	<b>20.0</b>	9.8	20.0	<b>2.82</b>	37.6	18.8	37.6	34.1	
-1	<b>55.0</b>	27.5	55.0	<b>20.0</b>	9.8	20.0	<b>2.75</b>	36.3	18.2	36.3	34.1	
-2	<b>53.7</b>	26.9	53.7	<b>20.0</b>	9.8	20.0	<b>2.69</b>	35.1	17.5	35.1	34.1	
-3	<b>52.5</b>	26.2	52.5	<b>20.0</b>	9.8	20.0	<b>2.63</b>	33.8	16.9	33.8	34.1	
-4	<b>51.3</b>	25.6	51.3	<b>20.0</b>	9.9	20.0	<b>2.57</b>	32.6	16.3	32.6	34.1	
-5	<b>50.1</b>	25.0	50.1	<b>20.0</b>	9.9	20.0	<b>2.51</b>	31.4	15.7	31.4	34.1	
-6	<b>48.9</b>	24.4	48.9	<b>20.0</b>	9.9	20.0	<b>2.45</b>	30.2	15.1	30.2	34.1	
-7	<b>47.7</b>	23.9	47.7	<b>20.0</b>	9.9	20.0	<b>2.39</b>	29.1	14.5	29.1	34.1	
-8	<b>46.6</b>	23.3	46.6	<b>20.0</b>	9.9	20.0	<b>2.33</b>	28.0	14.0	28.0	34.0	
-9	<b>45.5</b>	22.7	45.5	<b>20.0</b>	9.9	20.0	<b>2.28</b>	26.8	13.4	26.8	34.0	
-10	<b>44.4</b>	22.2	44.4	<b>20.0</b>	9.9	20.0	<b>2.22</b>	25.8	12.9	25.8	34.0	
-11	<b>43.3</b>	21.7	43.3	<b>20.0</b>	9.9	20.0	<b>2.17</b>	24.7	12.3	24.7	33.9	
-12	<b>42.3</b>	21.1	42.3	<b>20.0</b>	9.9	20.0	<b>2.12</b>	23.6	11.8	23.6	33.9	
-13	<b>41.3</b>	20.6	41.3	<b>20.0</b>	9.9	20.0	<b>2.07</b>	22.6	11.3	22.6	33.9	
-14	<b>40.3</b>	20.1	40.3	<b>20.0</b>	9.9	20.0	<b>2.02</b>	21.6	10.8	21.6	33.8	
-15	<b>39.3</b>	19.6	39.3	<b>20.0</b>	9.9	20.0	<b>1.97</b>	20.6	10.3	20.6	33.8	

-- attention: operating limits not reflected in performance table

Th -OU	[°C]	65 (T-max)									
		Ts -IN [°C]	Qh nom [kW]	Qh min [kW]	Qh max [kW]	Pin nom [kW]	Pin min [kW]	Pin max [kW]	COP nom kW / kW	Qc nom [kW]	Qc min [kW]
25	<b>93.7</b>	46.8	93.7	<b>24.9</b>	12.3	24.9	<b>3.77</b>	70.4	35.2	70.4	39.9
24	<b>92.0</b>	46.0	92.0	<b>25.0</b>	12.3	25.0	<b>3.68</b>	68.7	34.3	68.7	40.1
23	<b>90.3</b>	45.2	90.3	<b>25.1</b>	12.4	25.1	<b>3.61</b>	66.9	33.5	66.9	40.2
22	<b>88.7</b>	44.4	88.7	<b>25.1</b>	12.4	25.1	<b>3.53</b>	65.2	32.6	65.2	40.3
21	<b>87.1</b>	43.5	87.1	<b>25.2</b>	12.4	25.2	<b>3.45</b>	63.5	31.8	63.5	40.5
20	<b>85.5</b>	42.7	85.5	<b>25.3</b>	12.5	25.3	<b>3.38</b>	61.9	30.9	61.9	40.6
19	<b>83.9</b>	42.0	83.9	<b>25.3</b>	12.5	25.3	<b>3.31</b>	60.2	30.1	60.2	40.7
18	<b>82.4</b>	41.2	82.4	<b>25.4</b>	12.5	25.4	<b>3.24</b>	58.6	29.3	58.6	40.8
17	<b>80.8</b>	40.4	80.8	<b>25.5</b>	12.6	25.5	<b>3.17</b>	57.0	28.5	57.0	40.9
16	<b>79.3</b>	39.6	79.3	<b>25.5</b>	12.6	25.5	<b>3.11</b>	55.5	27.7	55.5	41.0
15	<b>77.8</b>	38.9	77.8	<b>25.6</b>	12.6	25.6	<b>3.04</b>	53.9	27.0	53.9	41.1
14	<b>76.3</b>	38.2	76.3	<b>25.6</b>	12.6	25.6	<b>2.98</b>	52.4	26.2	52.4	41.1
13	<b>74.8</b>	37.4	74.8	<b>25.6</b>	12.7	25.6	<b>2.92</b>	50.9	25.4	50.9	41.2
12	<b>73.4</b>	36.7	73.4	<b>25.7</b>	12.7	25.7	<b>2.86</b>	49.4	24.7	49.4	41.3
11	<b>72.0</b>	36.0	72.0	<b>25.7</b>	12.7	25.7	<b>2.80</b>	48.0	24.0	48.0	41.3
10	<b>70.6</b>	35.3	70.6	<b>25.8</b>	12.7	25.8	<b>2.74</b>	46.5	23.3	46.5	41.4
9	<b>69.2</b>	34.6	69.2	<b>25.8</b>	12.7	25.8	<b>2.68</b>	45.1	22.6	45.1	41.4
8	<b>67.8</b>	33.9	67.8	<b>25.8</b>	12.7	25.8	<b>2.63</b>	43.7	21.9	43.7	41.5
7	<b>66.5</b>	33.2	66.5	<b>25.8</b>	12.7	25.8	<b>2.57</b>	42.4	21.2	42.4	41.5
6	<b>65.2</b>	32.6	65.2	<b>25.9</b>	12.7	25.9	<b>2.52</b>	41.0	20.5	41.0	41.6
5	<b>63.9</b>	31.9	63.9	<b>25.9</b>	12.8	25.9	<b>2.47</b>	39.7	19.8	39.7	41.6
4	<b>62.6</b>	31.3	62.6	<b>25.9</b>	12.8	25.9	<b>2.42</b>	38.4	19.2	38.4	41.6
3	<b>61.3</b>	30.7	61.3	<b>25.9</b>	12.8	25.9	<b>2.37</b>	37.1	18.6	37.1	41.6
2	<b>60.1</b>	30.0	60.1	<b>25.9</b>	12.8	25.9	<b>2.32</b>	35.9	17.9	35.9	41.6
1	<b>58.8</b>	29.4	58.8	<b>25.9</b>	12.8	25.9	<b>2.27</b>	34.6	17.3	34.6	41.6
0	<b>57.6</b>	28.8	57.6	<b>25.9</b>	12.8	25.9	<b>2.22</b>	33.4	16.7	33.4	41.6
-1	<b>56.4</b>	28.2	56.4	<b>26.0</b>	12.8	26.0	<b>2.17</b>	32.2	16.1	32.2	41.6
-2	<b>55.3</b>	27.6	55.3	<b>26.0</b>	12.8	26.0	<b>2.13</b>	31.0	15.5	31.0	41.6
-3	<b>54.1</b>	27.1	54.1	<b>26.0</b>	12.8	26.0	<b>2.08</b>	29.9	14.9	29.9	41.6
-4	<b>53.0</b>	26.5	53.0	<b>26.0</b>	12.8	26.0	<b>2.04</b>	28.7	14.4	28.7	41.6
-5	<b>51.9</b>	26.0	51.9	<b>26.0</b>	12.8	26.0	<b>2.00</b>	27.6	13.8	27.6	41.5
-6	<b>50.8</b>	25.4	50.8	<b>26.0</b>	12.8	26.0	<b>1.95</b>	26.5	13.3	26.5	41.5
-7	<b>49.8</b>	24.9	49.8	<b>26.0</b>	12.8	26.0	<b>1.91</b>	25.5	12.7	25.5	41.5
-8	<b>48.7</b>	24.4	48.7	<b>26.0</b>	12.8	26.0	<b>1.87</b>	24.4	12.2	24.4	41.4
-9	<b>47.7</b>	23.9	47.7	<b>26.1</b>	12.9	26.1	<b>1.83</b>	23.4	11.7	23.4	41.4
-10	<b>46.7</b>	23.4	46.7	<b>26.1</b>	12.9	26.1	<b>1.79</b>	22.4	11.2	22.4	41.3
-11	<b>45.7</b>	22.9	45.7	<b>26.1</b>	12.9	26.1	<b>1.75</b>	21.4	10.7	21.4	41.3
-12	<b>44.8</b>	22.4	44.8	<b>26.1</b>	12.9	26.1	<b>1.71</b>	20.4	10.2	20.4	41.2
-13	<b>43.8</b>	21.9	43.8	<b>26.1</b>	12.9	26.1	<b>1.68</b>	19.4	9.7	19.4	41.1
-14	<b>42.9</b>	21.5	42.9	<b>26.2</b>	12.9	26.2	<b>1.64</b>	18.5	9.2	18.5	41.1
-15	<b>42.0</b>	21.0	42.0	<b>26.2</b>	12.9	26.2	<b>1.61</b>	17.6	8.8	17.6	41.0

-- attention: operating limits not reflected in performance table

Tc -OU		W 12 / 7 °C										
Ts -IN	Qc nom	Qc min	Qc max	Pin nom	Pin min	Pin max	EER	Qh nom	Qh min	Qh max	I nom	
[°C]	[kW]	[kW]	[kW]	[kW]	[kW]	[kW]	kW / kW	[kW]	[kW]	[kW]	[A]	
40	<b>40.2</b>	20.1	40.2	<b>16.7</b>	8.2	16.7	<b>2.41</b>	55.8	27.9	55.8	30.0	
39	<b>40.5</b>	20.3	40.5	<b>16.3</b>	8.0	16.3	<b>2.49</b>	55.8	27.9	55.8	29.5	
38	<b>40.9</b>	20.4	40.9	<b>15.9</b>	7.8	15.9	<b>2.57</b>	55.7	27.9	55.7	29.0	
37	<b>41.2</b>	20.6	41.2	<b>15.5</b>	7.6	15.5	<b>2.66</b>	55.7	27.8	55.7	28.5	
36	<b>41.5</b>	20.8	41.5	<b>15.1</b>	7.5	15.1	<b>2.75</b>	55.7	27.8	55.7	28.1	
35	<b>41.9</b>	20.9	41.9	<b>14.8</b>	7.3	14.8	<b>2.83</b>	55.7	27.8	55.7	27.6	
34	<b>42.2</b>	21.1	42.2	<b>14.4</b>	7.1	14.4	<b>2.93</b>	55.6	27.8	55.6	27.2	
33	<b>42.5</b>	21.2	42.5	<b>14.1</b>	6.9	14.1	<b>3.02</b>	55.6	27.8	55.6	26.8	
32	<b>42.8</b>	21.4	42.8	<b>13.7</b>	6.8	13.7	<b>3.11</b>	55.6	27.8	55.6	26.4	
31	<b>43.1</b>	21.5	43.1	<b>13.4</b>	6.6	13.4	<b>3.21</b>	55.6	27.8	55.6	26.1	
30	<b>43.4</b>	21.7	43.4	<b>13.1</b>	6.5	13.1	<b>3.31</b>	55.6	27.8	55.6	25.7	
29	<b>43.6</b>	21.8	43.6	<b>12.8</b>	6.3	12.8	<b>3.41</b>	55.6	27.8	55.6	25.4	
28	<b>43.9</b>	21.9	43.9	<b>12.5</b>	6.2	12.5	<b>3.52</b>	55.5	27.8	55.5	25.0	
27	<b>44.2</b>	22.1	44.2	<b>12.2</b>	6.0	12.2	<b>3.62</b>	55.5	27.8	55.5	24.7	
26	<b>44.4</b>	22.2	44.4	<b>11.9</b>	5.9	11.9	<b>3.73</b>	55.5	27.8	55.5	24.4	
25	<b>44.7</b>	22.3	44.7	<b>11.6</b>	5.7	11.6	<b>3.84</b>	55.5	27.8	55.5	24.1	
24	<b>44.9</b>	22.4	44.9	<b>11.3</b>	5.6	11.3	<b>3.96</b>	55.5	27.7	55.5	23.8	
23	<b>45.1</b>	22.6	45.1	<b>11.1</b>	5.5	11.1	<b>4.07</b>	55.5	27.7	55.5	23.6	
22	<b>45.3</b>	22.7	45.3	<b>10.8</b>	5.3	10.8	<b>4.19</b>	55.4	27.7	55.4	23.3	
21	<b>45.6</b>	22.8	45.6	<b>10.6</b>	5.2	10.6	<b>4.32</b>	55.4	27.7	55.4	23.1	
20	<b>45.8</b>	22.9	45.8	<b>10.3</b>	5.1	10.3	<b>4.44</b>	55.4	27.7	55.4	22.8	

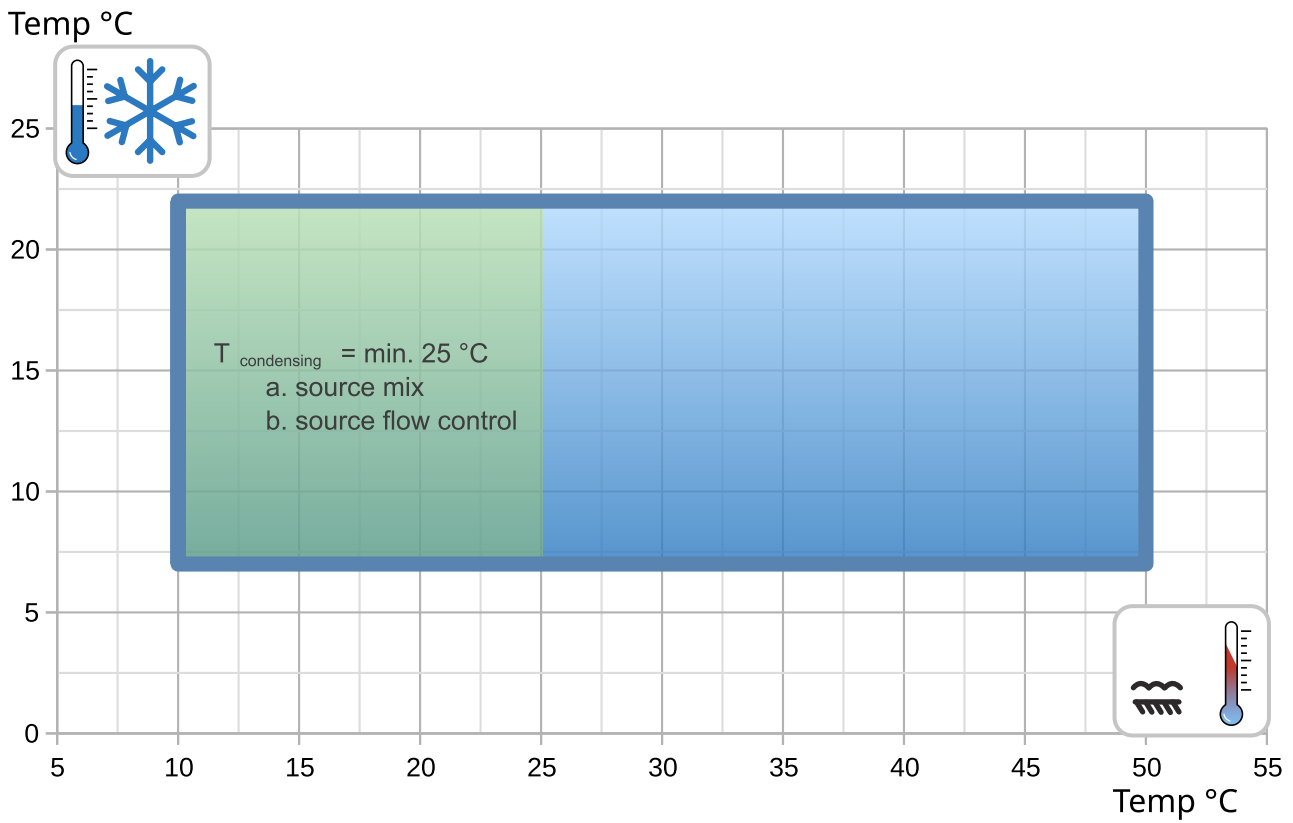
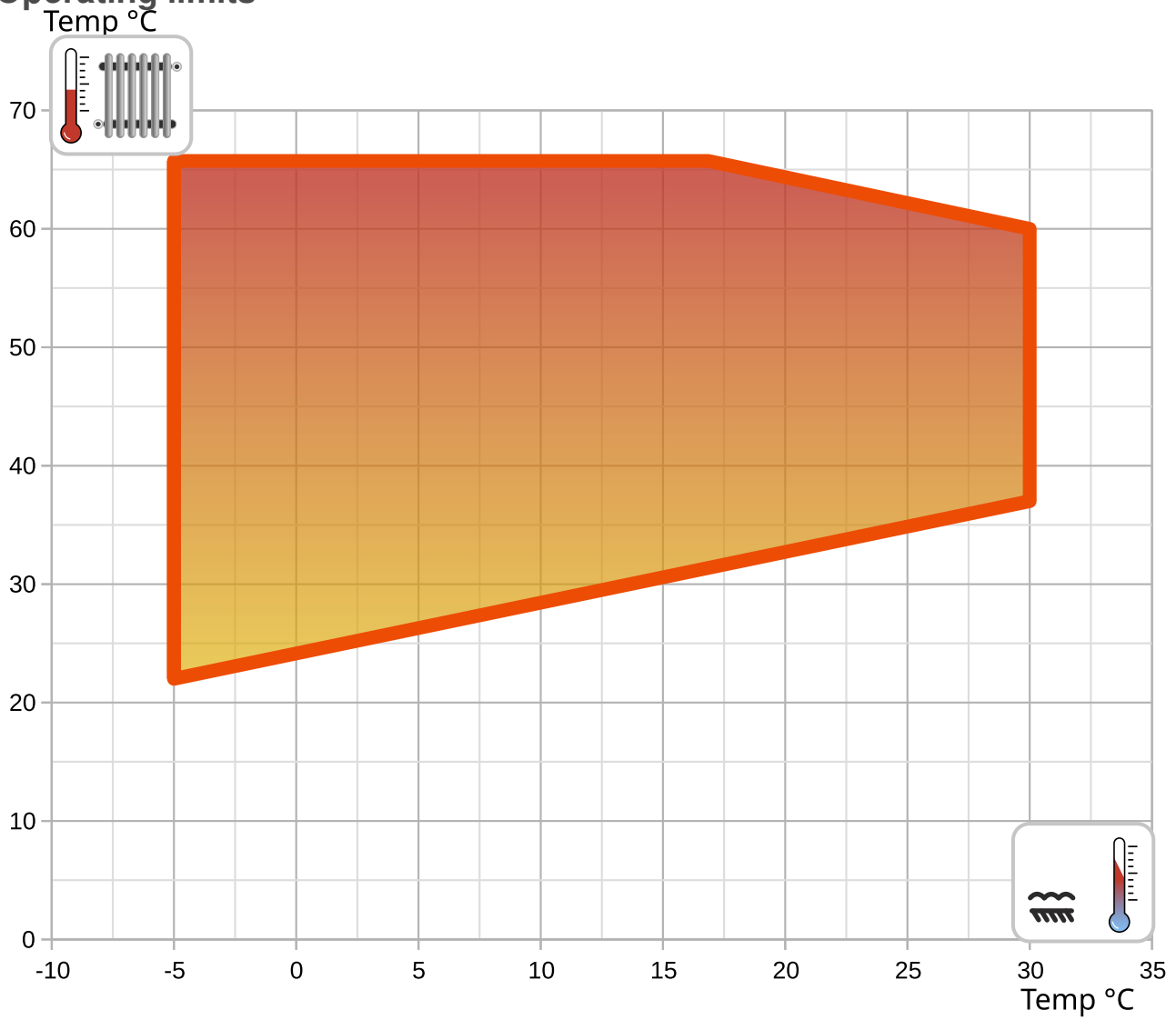
Tc [°C]		W 23 / 18 °C										
0	Qc nom	Qc min	Qc max	Pin nom	Pin min	Pin max	EER	Qh nom	Qh min	Qh max	I nom	
[°C]	[kW]	[kW]	[kW]	[kW]	[kW]	[kW]	kW / kW	[kW]	[kW]	[kW]	[A]	
40	<b>54.8</b>	27.4	54.8	<b>16.7</b>	8.2	16.7	<b>3.28</b>	70.1	35.1	70.2	29.5	
39	<b>55.2</b>	27.6	55.2	<b>16.3</b>	8.0	16.3	<b>3.39</b>	70.1	35.1	70.1	29.0	
38	<b>55.6</b>	27.8	55.6	<b>15.9</b>	7.8	15.9	<b>3.50</b>	70.2	35.1	70.1	28.5	
37	<b>56.0</b>	28.0	56.0	<b>15.5</b>	7.6	15.5	<b>3.61</b>	70.2	35.1	70.1	28.0	
36	<b>56.4</b>	28.2	56.4	<b>15.1</b>	7.5	15.1	<b>3.73</b>	70.2	35.1	70.1	27.6	
35	<b>56.8</b>	28.4	56.8	<b>14.8</b>	7.3	14.8	<b>3.84</b>	70.2	35.1	70.1	27.1	
34	<b>57.1</b>	28.6	57.1	<b>14.4</b>	7.1	14.4	<b>3.96</b>	70.2	35.1	70.1	26.7	
33	<b>57.5</b>	28.7	57.5	<b>14.1</b>	6.9	14.1	<b>4.09</b>	70.3	35.1	70.1	26.3	
32	<b>57.8</b>	28.9	57.8	<b>13.7</b>	6.8	13.7	<b>4.21</b>	70.3	35.1	70.1	25.9	
31	<b>58.2</b>	29.1	58.2	<b>13.4</b>	6.6	13.4	<b>4.34</b>	70.3	35.2	70.1	25.5	
30	<b>58.5</b>	29.3	58.5	<b>13.1</b>	6.5	13.1	<b>4.47</b>	70.3	35.2	70.1	25.1	
29	<b>58.8</b>	29.4	58.8	<b>12.8</b>	6.3	12.8	<b>4.60</b>	70.3	35.2	70.1	24.8	
28	<b>59.2</b>	29.6	59.2	<b>12.5</b>	6.2	12.5	<b>4.74</b>	70.3	35.2	70.2	24.4	
27	<b>59.5</b>	29.7	59.5	<b>12.2</b>	6.0	12.2	<b>4.88</b>	70.3	35.2	70.2	24.1	
26	<b>59.8</b>	29.9	59.8	<b>11.9</b>	5.9	11.9	<b>5.02</b>	70.3	35.2	70.2	23.8	
25	<b>60.0</b>	30.0	60.0	<b>11.6</b>	5.7	11.6	<b>5.17</b>	70.3	35.2	70.2	23.5	
24	<b>60.3</b>	30.2	60.3	<b>11.3</b>	5.6	11.3	<b>5.32</b>	70.3	35.2	70.2	23.2	
23	<b>60.6</b>	30.3	60.6	<b>11.1</b>	5.5	11.1	<b>5.47</b>	70.3	35.2	70.3	22.9	
22	<b>60.8</b>	30.4	60.8	<b>10.8</b>	5.3	10.8	<b>5.63</b>	70.3	35.1	70.3	22.7	
21	<b>61.1</b>	30.5	61.1	<b>10.6</b>	5.2	10.6	<b>5.79</b>	70.3	35.1	70.3	22.4	
20	<b>61.3</b>	30.7	61.3	<b>10.3</b>	5.1	10.3	<b>5.95</b>	70.2	35.1	70.3	22.2	

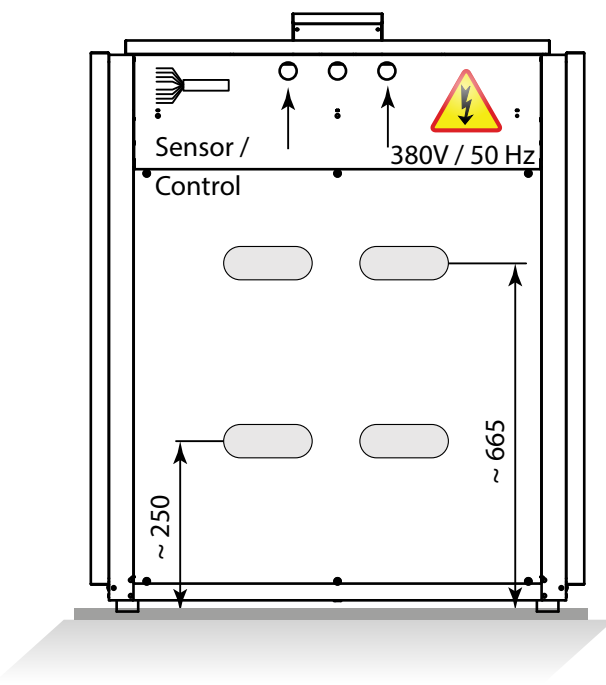
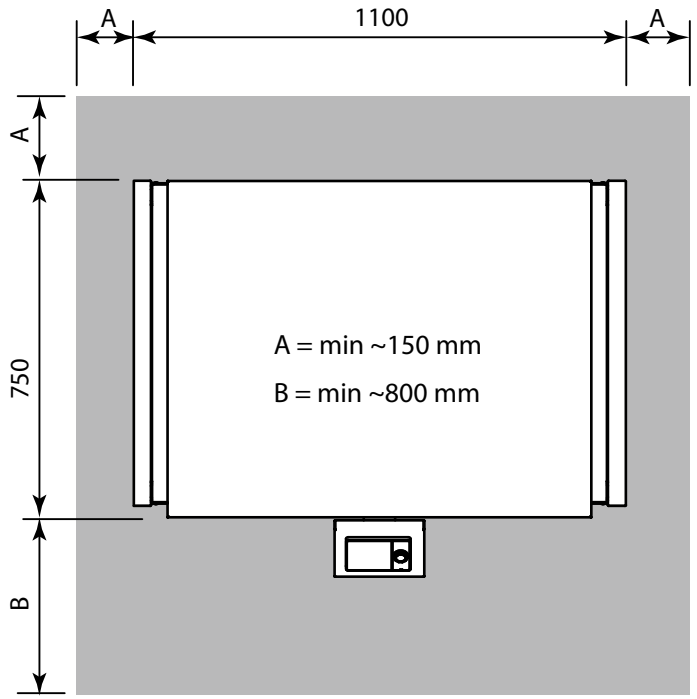
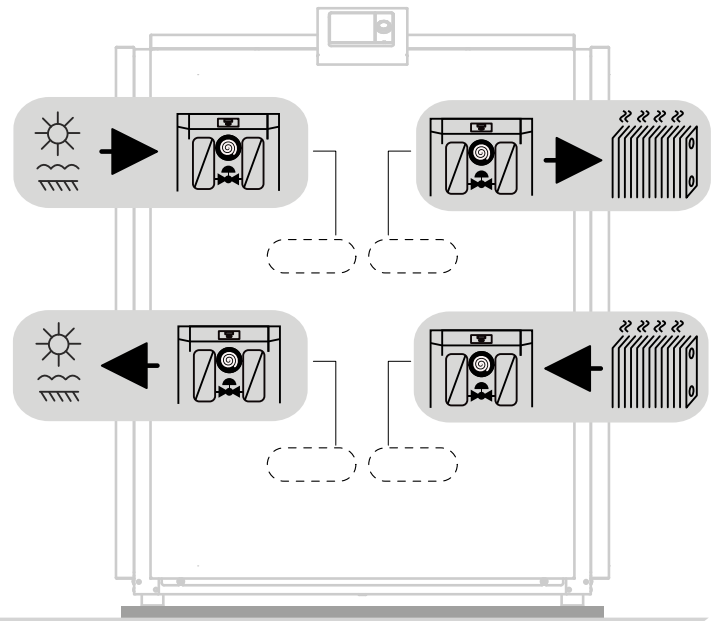
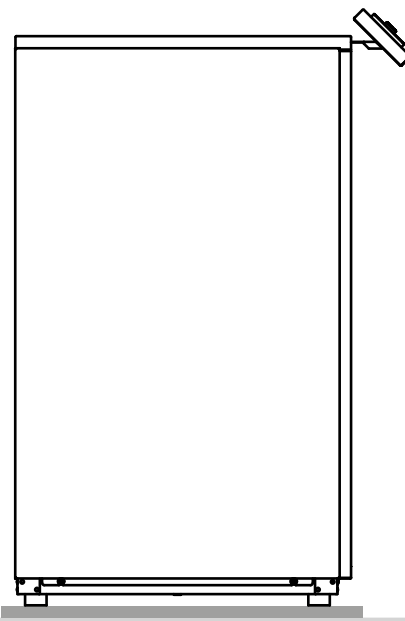
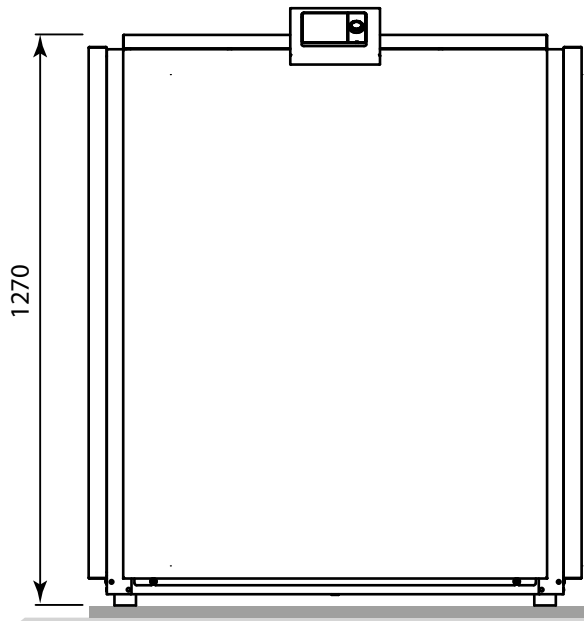
-- attention: operating limits not reflected in performance table

LEGEND:

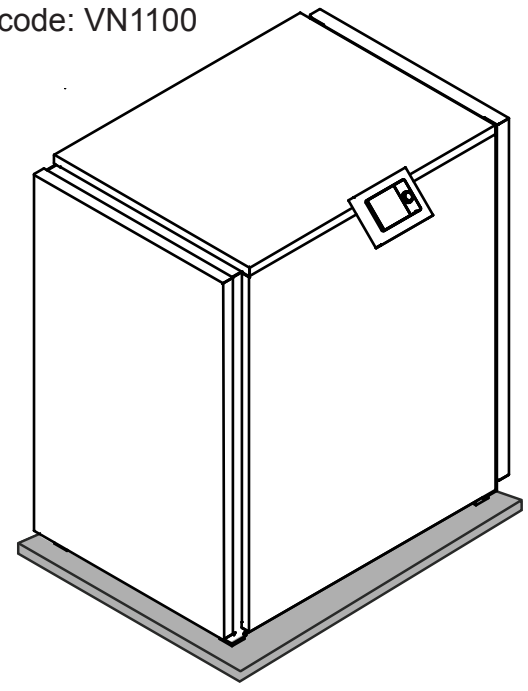
Ts-IN: Temperature renewable source - inlet [°C]  
Th-OU: Temperature heating - outlet (flow) [°C]  
Tc-OU: Temperature cooling - outlet (flow) [°C]  
Qh nom: Heating capacity nominal  
Qh min: Heating capacity minimal  
Qh max: Heating capacity maximal  
Pin nom: Power input at nominal heating capacity  
Pin min: Power input at minimal heating capacity  
Pin max: Power input at maximal heating capacity  
COP nom: coefficient of performance at nominal heating capacity  
Qc nom: cooling / heat extraction capacity at nominal heating capacity  
Qc min: cooling / heat extraction at minimal heating capacity  
Qc max: cooling / heat extraction at maximal heating capacity  
I nom: Current at nominal heating capacity  
EER: energy efficiency ratio at nominal cooling capacity

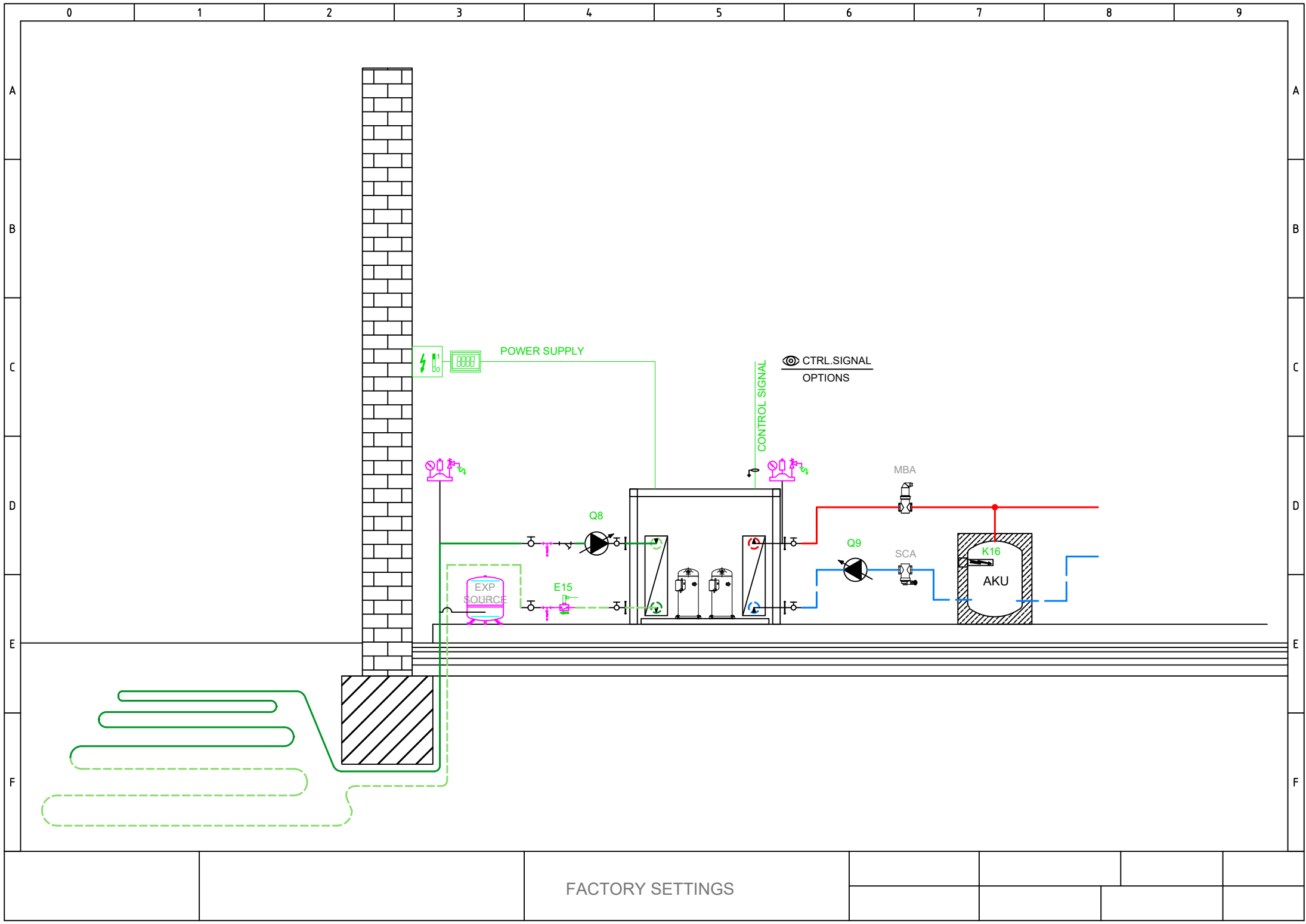
### Operating limits

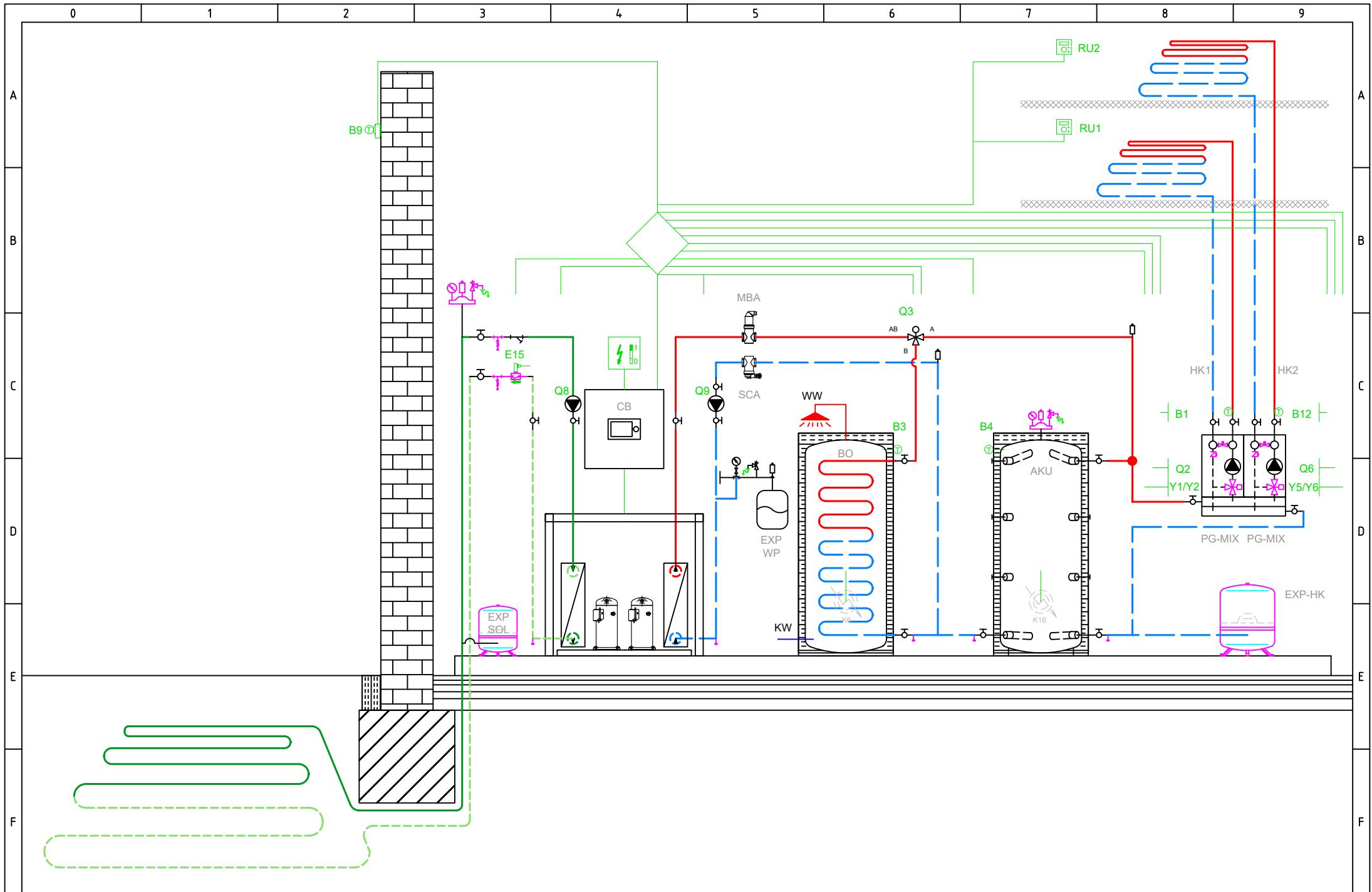




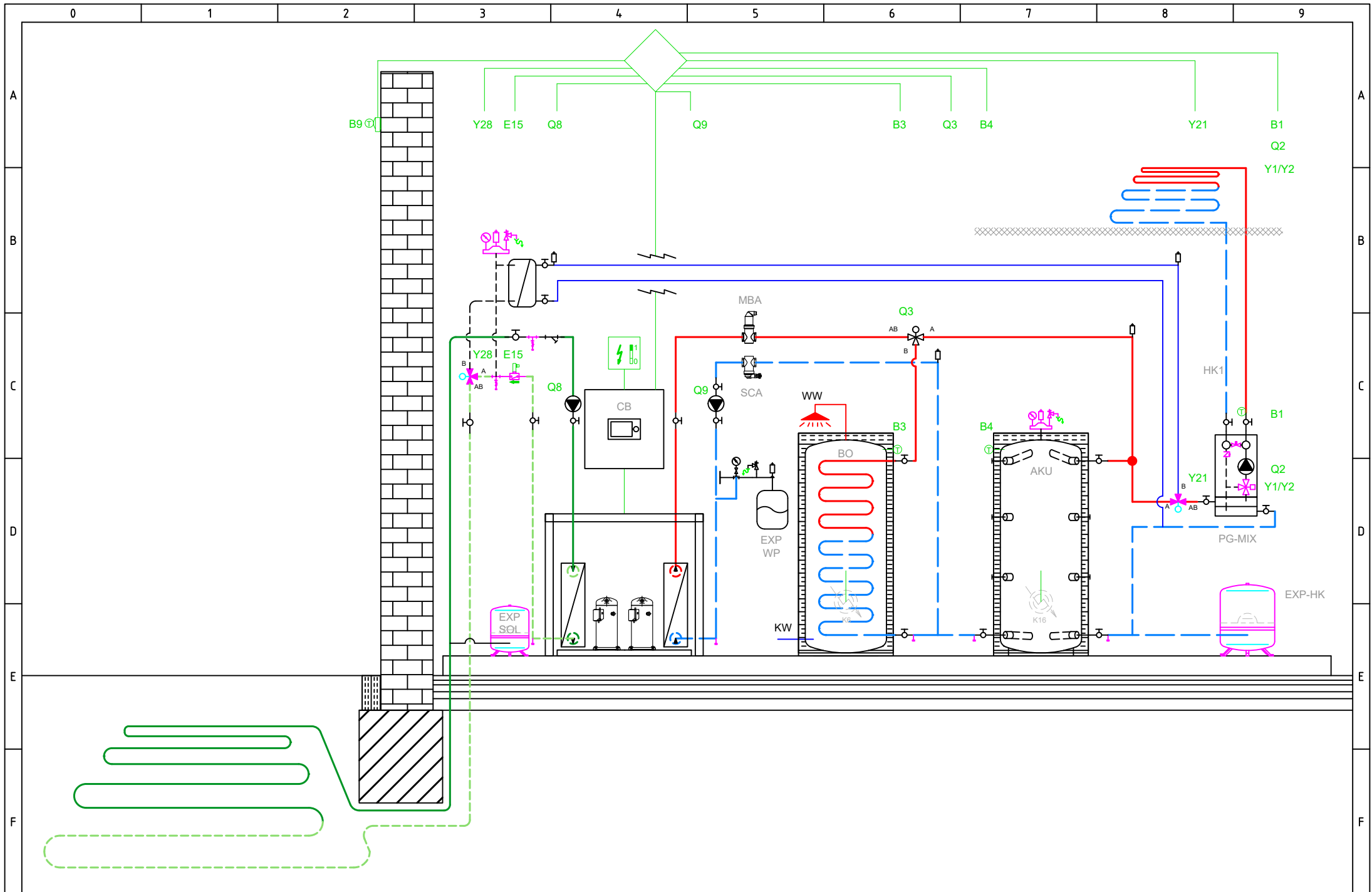
int. code: VN1100







BASIC APPLICATION



OPTIONAL APPLICATION

Total: max 6A  
1 x QX...: max 2A

Main power supply 230V / 50 Hz  
Ground  
Neutral conductor

- E9 Low-pressure switch E9
- E10 High-pressure switch E10
- E15 Flow switch source E15
- E24 Flow switch consumers E24
- E6 Electrical utility lock E6
- E12 Overload compressor 2 E12
- E21 Mains supervision E21
- E22 Mains supervision E22
- E23 Mains supervision E23
- E11 Overload compressor 1 E11
- K1 Compressor stage 1 K1

Q8 Source pump Q8

Q9 Condenser pump Q9

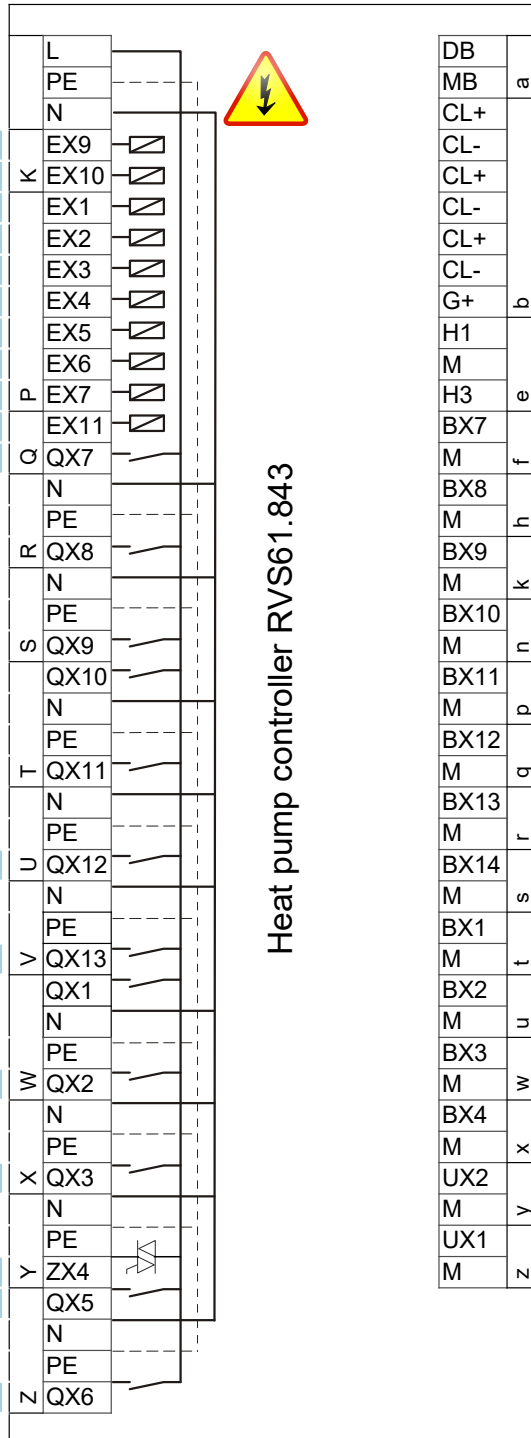
K10 Alarm output K10

K40 Crankcase heater K40

K81 Valve evaporator K81

K82 Valve EVI K82

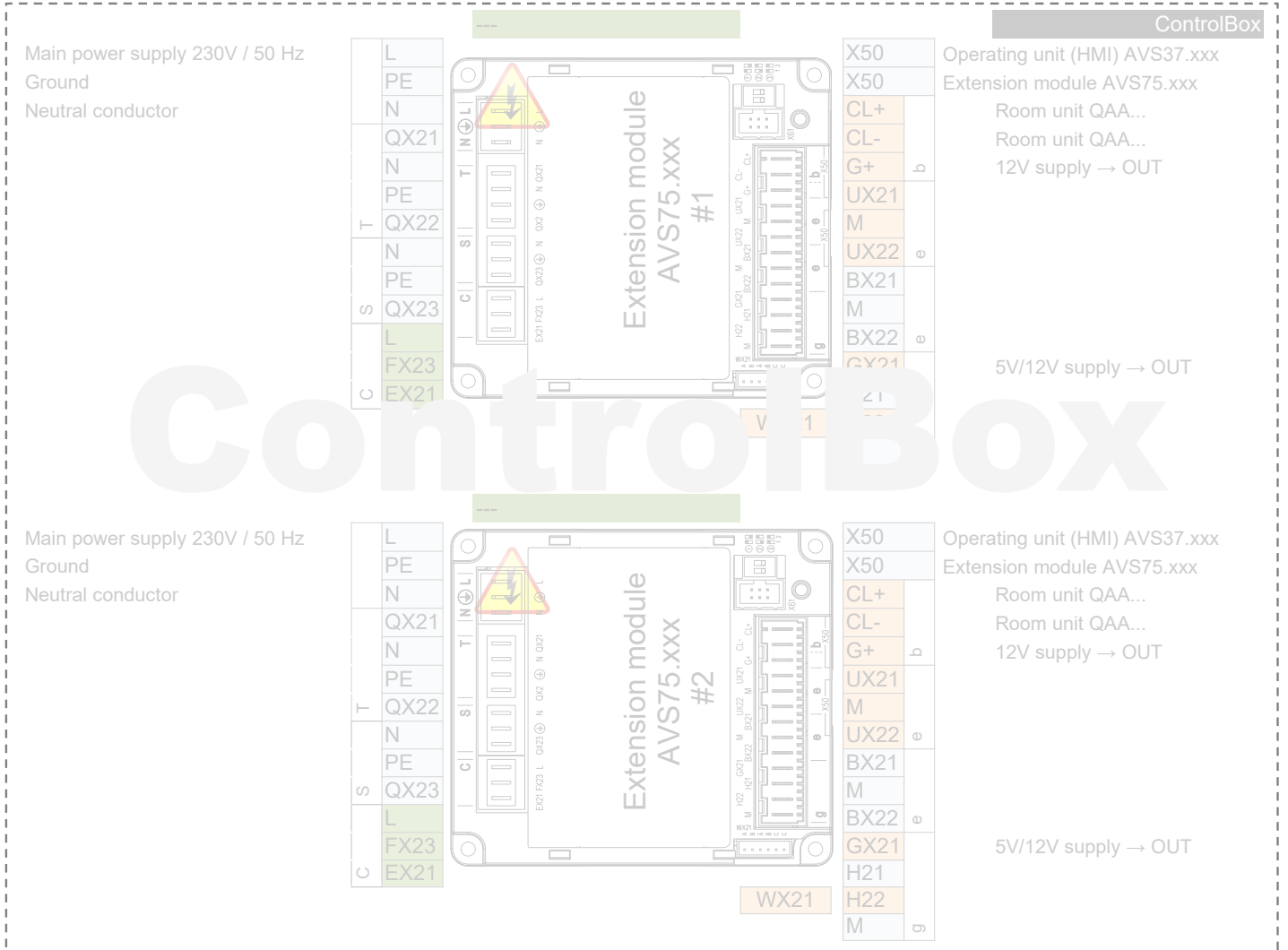
K2 Compressor stage 2 K2



- DB LPB Bus data
- MB LPB Bus GND
- CL+ Room unit QAA...
- CL- Room unit QAA...
- CL+ Room unit QAA... 2.
- CL- Room unit QAA... 2.
- CL+ Room unit QAA... 3.
- CL- Room unit QAA... 3.
- G+ 12V supply → OUT
- H1
- M
- H3 Consumer request VK1
- BX7 B81 Hot-gas sensor K1 B81
- M
- BX8
- M
- BX9
- M
- BX10 B21 HP flow sensor B21
- M
- BX11
- M
- BX12 B71 HP return sensor B71
- M
- BX13 B91 Source inlet sensor B91
- M
- BX14 B84 Source outl sens B92/B84
- M
- BX1
- M
- BX2
- M
- BX3 B83 Refrig sensor liquid B83
- M
- BX4 B82 Hot-gas sensor K2 B82
- M
- UX2 Condenser pump Q9
- M
- UX1 0..10 V Signal
- M
- UX1 Source pump Q8
- M
- UX1 0..10 V Signal



- AVS75.390
- AVS75.391
- AVS75.370



HEAT PUMP

EXTERNAL  
INTERNAL



K1

K2

K82

K81

K40

K10

Q8 UX1

Q9 UX2

E11  
KRW1  
F1K  
E11

E12  
KRW2  
F2K  
E12

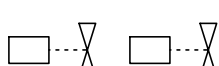
E6

E24  
Q9 ERR  
F1S  
E24

E15  
Q8.ERR  
F1Z  
E15

E10

E9



230V,50Hz max 6A

0...10V



DO



0...10V



DO



0...10V



DO



0...10V



DO



0...10V



DO



0...10V



DO



0...10V



DO



0...10V



DO



0...10V



DO



0...10V



DO



0...10V



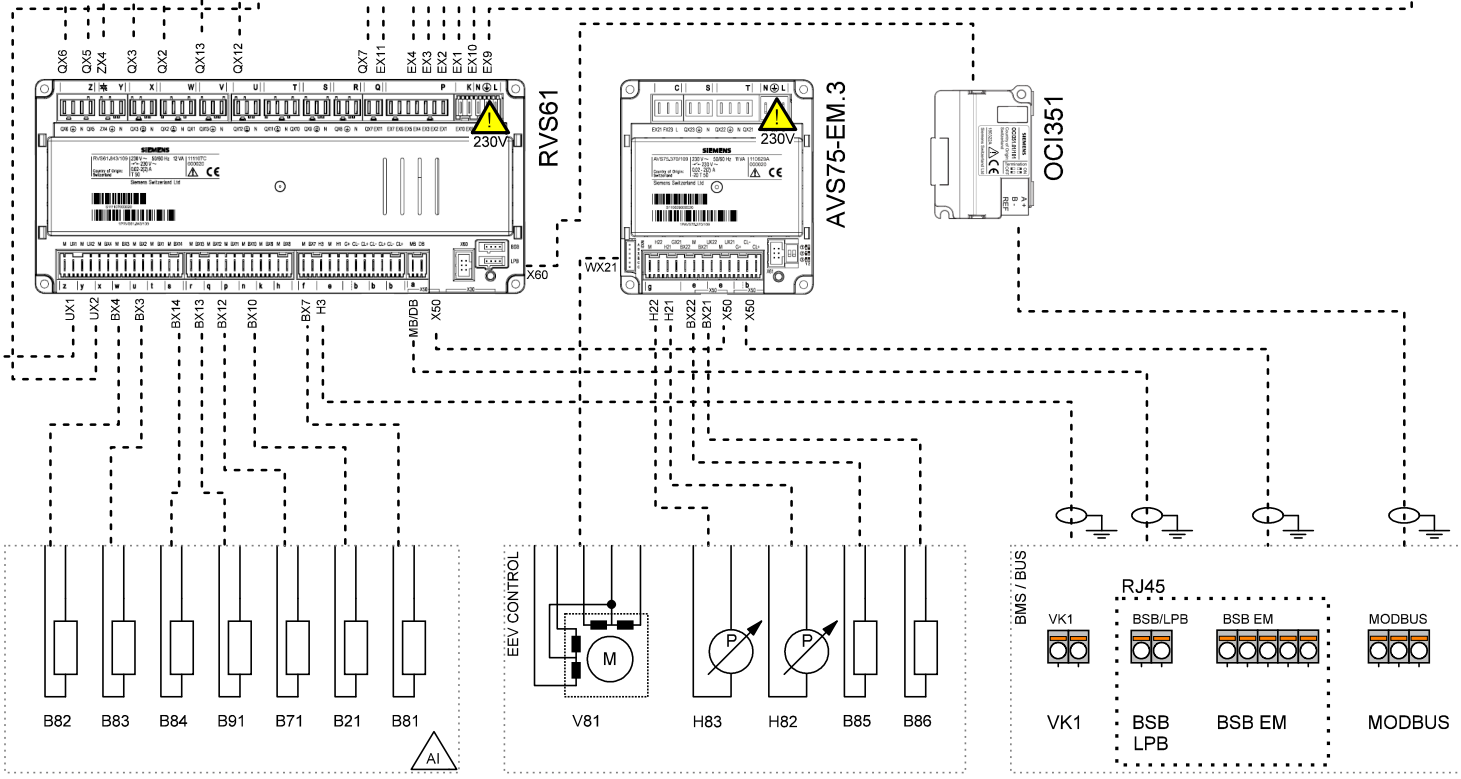
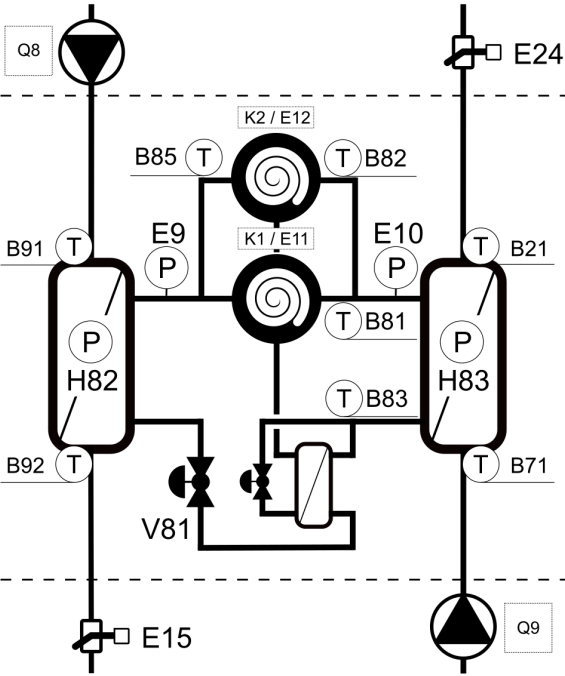
DO



0...10V



DO



PWR SPLY: ..... 3~ 400V, 50 Hz  
CTRL: ..... 1~ 230V, 50 HZ

Company

Title

Version / Note

Number

Created by

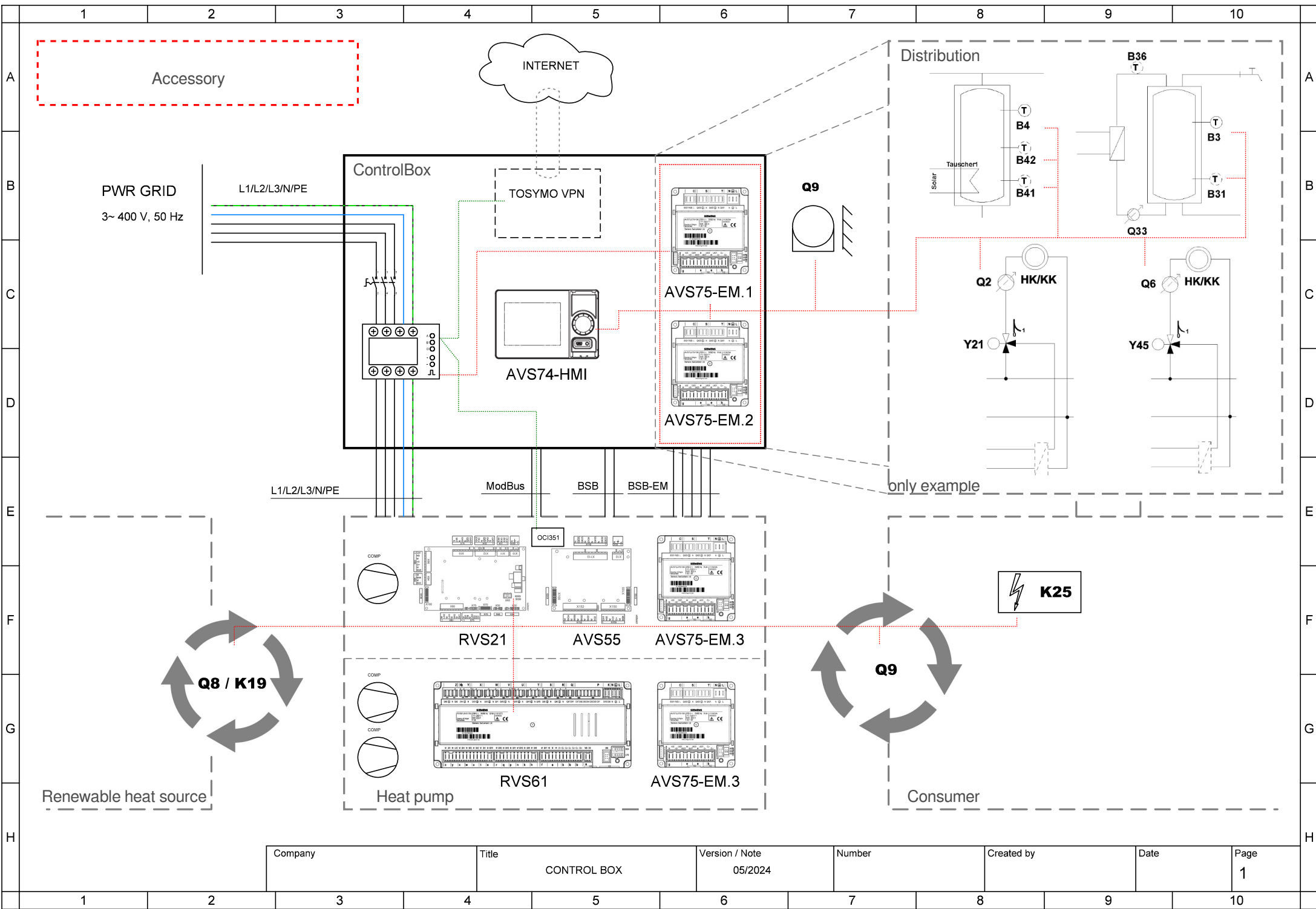
Date

Page

TBW-TWW

05/2024

1



Company	Title	Version / Note	Number	Created by	Date	Page
	CONTROL BOX	05/2024				1



Company	Title	Version / Note	Number	Created by	Date	Page
	CONTROL BOX	05/2024				2



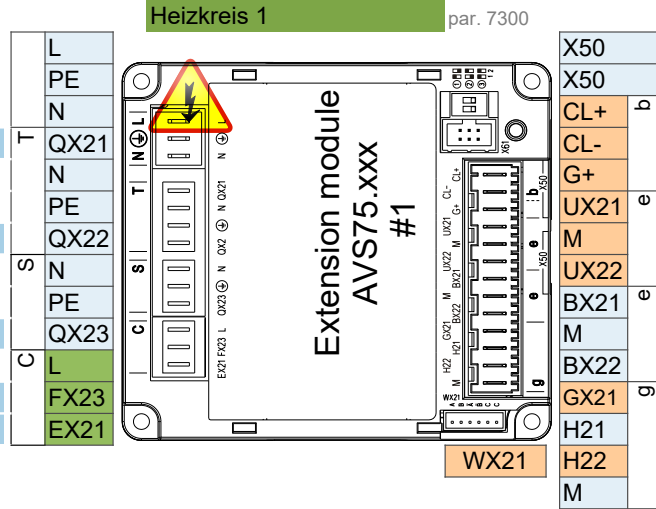
Company	Title	Version / Note	Number	Created by	Date	Page
	CONTROL BOX	05/2024				3



Company	Title	Version / Note	Number	Created by	Date	Page
	CONTROL BOX	05/2024				4

- AVS75.390
- AVS75.391
- AVS75.370

- AVS75.370**  
 Main power supply 230V / 50 Hz  
 Ground  
 Neutral conductor  
**Y1** Mixing valve Open  
  
**Y2** Mixing valve Close  
  
**Q2** Heat circuit pump HC1 Q2  
  
**L** Phase 230V  
**E61** Smart grid E61

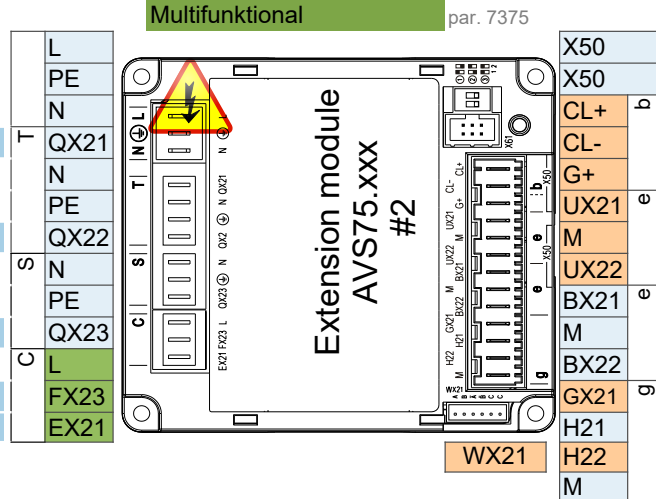


Extension module AVS75.xxx  
 Room unit QAA...  
 Room unit QAA...

**B1** Flow sensor 1

Pulse count

- AVS75.370**  
 Main power supply 230V / 50 Hz  
 Ground  
 Neutral conductor  
**Q3** DHW ctrl elem Q3  
  
**K6** El imm heater DHW K6  
  
**Q6** Heat circuit pump HC2 Q6  
  
**L** Phase 230V  
**E62** Smart grid E62

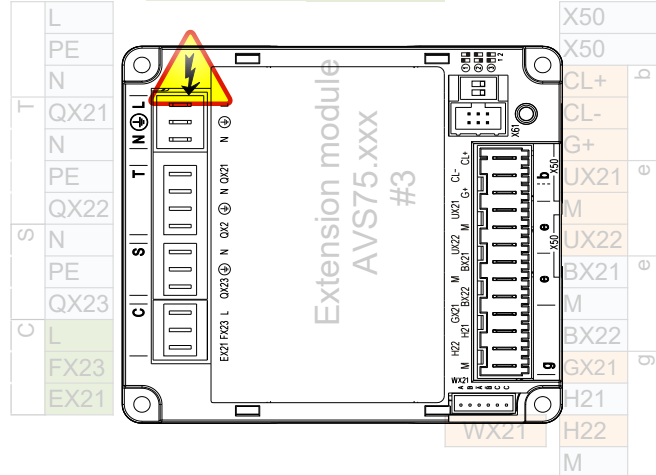


Operating unit (HMI) AVS37.xxx  
 Extension module AVS75.xxx  
 Room unit QAA...  
 Room unit QAA...

**B3** DHW sensor B3

**B4** Buffer sensor B4

- Main power supply 230V / 50 Hz  
 Ground  
 Neutral conductor



Operating unit (HMI) AVS37.xxx  
 Extension module AVS75.xxx  
 Room unit QAA...  
 Room unit QAA...

Attention: Extension module 3 is inside the heat pump

## Control connection options

### 1 ControlBox

---

ControlBox, with two built-in extension modules, enables numerous options for application control on the consumer side behind the heat pump. For more, see the ControlBox schematic and the application diagrams sheet.

### 2 Fix flow temperature setpoint - On / Off dry (potential free) contact

---

2 wire shielded cable 2 x 0.5 mm<sup>2</sup> - Setpoint = 45°C (editable by param. 1859)

Connection terminal - see wiring diagram

### 3 Analog 0..10V flow temperature setpoint control

---

2 wire shielded cable 2 x 0.5 mm<sup>2</sup> - Setpoint: 0V = 16°C ~ 10V = 60°C ( editable in parameter set )

Connection terminal - see wiring diagram

### 4 ModBus RTU communication command

---

3 wire shielded cable min. 3 x 0.25mm<sup>2</sup>

For ModBus mapping table contact technical support

### 5 MQTT IoT communication protocol

---

For more information contact technical support