



Heat pump



AWK 40 EVI

WAMAK AWK 40 EVI

Product description

Compact heat pump for heating, cooling and domestic hot water designed for outdoor installation. A short closed refrigerant circuit with a silent Scroll compressor located in front of the low-height fan simplifies installation and aids long-term stable operation. Features include a double V-shaped heat exchanger, full stainless steel enclosure and robust frame construction.

Use for multi-family dwellings, suburban mixed-use buildings or commercial operations. The Urban range is based on a robust construction quality steel for all parts. High quality, long proven heat pump circuit components extend the life of the heat pump.

The primary source is the heat energy from the ambient air, which is blown by a silent fan in the shape of an owl's wing through a heat exchanger made of copper and aluminium.

The EVI (Enhanced Vapour Injection) technology allows the heat pump to achieve higher header flow temperatures even at lower source temperatures. EVI also has a positive impact on the compressor lifespan and overall system stability because the discharge gas temperature from the compressor is lower.

The APS (Active Process Subcooling) system simultaneously increases the stability and efficiency of operation by additional utilisation of the liquid refrigerant temperature after it has condensed.

Outdoor monoblock

Product features

- Scroll compressor
- EVI technology
- Asymetric plate heat exchanger
- Active cooling
- Enhanced defrosting with APS system
- Heated drip tray - (with accessory)
- High pressure switch
- Low pressure sensor - analogue
- Flow sensor consumer - analogue - (with accessory)
- ECM speed circulator - condenser - (with accessory)
- Direct heating/cooling circuit control - (with accessory)
- DHW circulation control - (with accessory)
- DHW temperature sensor - (with accessory)
- Cascade control - (with accessory)
- Body parts and frame made of fully stainless steel sheet
- Sylomer pads under compressor unit
- Electronic expansion valve
- Large air heat exchanger with APS system
- Reversible defrosting
- Speed - controlled EC fan
- Phase and rotation control
- High pressure sensor - analogue
- Flow switch consumer - on/off - (with accessory)
- Plate exchanger protection HG-BYPASS
- Mixed heating/cooling circuit control - (with accessory)
- DHW switching control - (with accessory)
- Outdoor temperature sensor - (with accessory)
- Buffer temperature sensor - (with accessory)
- Modbus connection - (with accessory)
- Solid frame structure

Basic performance data - WAMAK AWK 40 EVI

Heating - EN 14511		
Heating capacity [kW]	A7 / W35	43.0
	A2 / W35	36.2
	A-7 / W34	30.1
Electrical power input [kW]	A7 / W35	9.8
	A2 / W35	9.8
	A-7 / W34	9.5
Heating efficiency faktor [COP]	A7 / W35	4.39
	A2 / W35	3.71
	A-7 / W34	3.16
Seasonal space heating energy efficiency - SCOP EN 14825		
Average Climate / Low Temperature [35 °C]	SCOP	4.19
	η [%]	167.7
	Label	A+++
	Qhe [kWh]	16410.6
	Pdesignh [kW]	34.0
	Tbivalent [°C]	-7
Cooling		
Cooling capacity - [kW]	A35 / W23-18	42.7
	A25 / W23-18	44.9
	A35 / W12-7	31.4
	A25 / W12-7	31.4
Seasonal space cooling energy efficiency - SEER EN 14825		
[W 23 / 18 °C]	SEER	4.54
	Qce [kWh]	18840.0
	η_c [%]	181.5
Sound EN 12102		
Acoustic power - Lw	dB(A)	64.8
Acoustic pressure - Lp	1 m dB(A)	56.8
	5 m dB(A)	42.8
	10 m dB(A)	36.8
Mechanical and operational information		
Compressor type (3~ 400/50)	SCROLL / 1 /	On/Off
Refrigerant	R410A (GWP - 2088)	8.4 kg
Operating limit temperatures heating - (min / max) [°C]		25 / 65
Operating limit temperatures source - (min / max) [°C]		-22 / 40
Weight		570 kg

Main technical data - WAMAK AWK 40 EVI

Enclosure type		AWK-VOV900		Heat energy rejection side data			
Basic dimensions	Height [mm]	1250		Operating limit temperatures heating	MAX [°C]	65	
	Width [mm]	1380			MIN [°C]	25	
	Length [mm]	1780		for more see operating limits diagram			
Weight [kg]	570		Condenser	Port size	2 "		
Colour	Inox			Type	BPHE		
Enclosure IP Class	IP44			Count	1		
				Material	AISI 316		
Refrigeration cycle			Maximal operating pressure - refrigerant [bar]			50	
Compressor	Type	Scroll		Maximal operating pressure - Water [bar]			6
	Number of stages	1		Testing pressure [bar]			70
	On/Off			Heat transfer medium			Water
	Power factor Cosφ	0.59		Volume flow @ dT 5K (nom) - Water [m3/h]			7.41
	Winding resistance	0.83 Ohm		Internal pressure drop - Water [kPa]			15
Refrigerant		R410A		Temperature difference @ 35°C (nom)			5 K
	Volme	8.4 kg		@ 55°C			8 K
	GWP	2088		@ 65°C			10 K
	Safety class	A1					
Refrigeration oil type	POE RL32-3MAF		Renewable energy extraction side data				
	Oil volume	3.38 L		Operating limit temperatures source	MIN [°C]	-22	
Maximal pressure - refrigerant [bar]	50		MAX [°C]			40	
	PED class	2		for more see operating limits diagram			
EVI - vapour injection with economizer			Evaporator	Type	Cu-coil /Al-fin		
APS System of liquid subcooling				Count	1		
Reversible operation (cooling)				Material	Cu/Al		
Reverse defrosting with hot gas			Maximal operating pressure - refrigerant [bar]			29	
Plate exchanger protection HG-BYPASS			Heat transfer medium			Air	
Electrical connection data			Volume flow - Air [m3/h]			13200	
Line voltage [#~ V/Hz]		3~ 400/50		Internal pressure drop - Air [kPa]			0.024
Current	nominal [A]	21.79		Temperature difference - Air			7 K
	maximal [A]	33.00		Number of fans			1
	starting [A]	50.47		Fan diameter [mm]			800
Softstart							
Main safety	C40						
Control System							
Main controller	SIEMENS	RVS 21 AVS 55.199					
Extension module	AVS75.3xx	AVS75.3xx	AVS75.372				
Bus Clip-In		LPB OCI346	Modbus OCI352				
Online connection		Web server OZW672	ToSyMo				
Superheat controller			1 - EEV H/C				

*** with accessory

WAMAK AWK 40 EVI

ErP (EU) No 811/2013: Technical parameters for heat pump space heaters

Model	AWK 40 EVI
Air-to-water heat pump	yes
Brine-to-water heat pump	no
Water-to-water heat pump	no
Low-temperature heat pump	no
Equipped with a supplementary heater	no
Heat pump combination heater	no
Temperature application	low (35°C - 30°C)
Climate conditions	average

Item	Symbol	Value	Unit	Item	Symbol	Value	Unit
Rated heat output at Tdesignh	Prated	34.0	kW	Seasonal space heating energy efficiency	η_s	167.7	%
Declared capacity for heating for part load at indoor temperature 20 °C and outdoor temperature Tj				Declared coefficient of performance or primary energy ratio for part load at indoor temperature 20 °C and outdoor temperature Tj			
Tj = -7 °C	Pdh	30.1	kW	Tj = -7 °C	COPd	3.16	-
Tj = +2 °C	Pdh	36.1	kW	Tj = +2 °C	COPd	4.1	-
Tj = +7 °C	Pdh	43.0	kW	Tj = +7 °C	COPd	5.2	-
Tj = +12 °C	Pdh	51.1	kW	Tj = +12 °C	COPd	6.5	-
Tj = bivalent temperature	Pdh	29.4	kW	Tj = bivalent temperature	COPd	3.0	-
Tj = operation limit temperature	Pdh	21.1	kW	Tj = operation limit temperature	COPd	2.2	-
Bivalent temperature	Tbiv	-7	°C	Tj = operation limit temperature	TOL	-22	°C
Power consumption in modes other than active mode				Heating water operating limit temperature	WTOL	65	°C
Off mode	Poff	0.040	kW	Supplementary heater			
Thermostat-off mode	Pto	0.010	kW	Rated heat output	Psup	15.2	kW
Standby mode	Psb	0.010	kW	Type of energy input	electricity		
Crankcase heater mode	Pck	0.050	kW	For air-to-water heat pumps: Rated air flow rate, outdoors			
Other items				For water- or brine-to-water heat pumps: Rated brine or water flow rate, outdoor heat exchanger			
Capacity control		fixed					
Sound power level							
indoors	Lwa	---	dB				
outdoors	Lwa	65	dB				
Annual energy consumption	Q _{HE}	16410.6	kWh				

Contact details: WAMAK, s.r.o., Orovnicna 252, 96652, Orovnicna, Slovakia, info@wamak.sk

WAMAK AWK 40 EVI

ErP (EU) No 811/2013: Technical parameters for heat pump space heaters

Model	AWK 40 EVI
Air-to-water heat pump	yes
Brine-to-water heat pump	no
Water-to-water heat pump	no
Low-temperature heat pump	no
Equipped with a supplementary heater	no
Heat pump combination heater	no
Temperature application	middle (55°C - 47°C)
Climate conditions	average

Item	Symbol	Value	Unit	Item	Symbol	Value	Unit
Rated heat output at Tdesignh	Prated	35.7	kW	Seasonal space heating energy efficiency	η_s	130.6	%
Declared capacity for heating for part load at indoor temperature 20 °C and outdoor temperature Tj				Declared coefficient of performance or primary energy ratio for part load at indoor temperature 20 °C and outdoor temperature Tj			
Tj = -7 °C	Pdh	31.2	kW	Tj = -7 °C	COPd	2.18	-
Tj = +2 °C	Pdh	36.4	kW	Tj = +2 °C	COPd	3.2	-
Tj = +7 °C	Pdh	43.0	kW	Tj = +7 °C	COPd	4.3	-
Tj = +12 °C	Pdh	51.0	kW	Tj = +12 °C	COPd	5.7	-
Tj = bivalent temperature	Pdh	30.9	kW	Tj = bivalent temperature	COPd	2.0	-
Tj = operation limit temperature	Pdh	22.9	kW	Tj = operation limit temperature	COPd	1.5	-
Bivalent temperature	Tbiv	-7	°C	Tj = operation limit temperature	TOL	-22	°C
Power consumption in modes other than active mode				Heating water operating limit temperature	WTOL	65	°C
Off mode	Poff	0.040	kW	Supplementary heater			
Thermostat-off mode	Pto	0.010	kW	Rated heat output	Psup	15.2	kW
Standby mode	Psb	0.010	kW	Type of energy input	electricity		
Crankcase heater mode	Pck	0.050	kW	For air-to-water heat pumps:			
Other items				Rated air flow rate, outdoors	-	13200	m ³ /h
Capacity control	fixed			For water- or brine-to-water heat pumps: Rated brine or water flow rate, outdoor heat exchanger			
Sound power level							
indoors	Lwa	---	dB				
outdoors	Lwa	65	dB				
Annual energy consumption	Q _{HE}	22245.4	kWh				

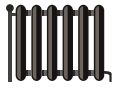
Contact details: WAMAK, s.r.o., Orovnic 252, 96652, Orovnic, Slovakia, info@wamak.sk



ENERG Y IIA
 енергия - ενεργεια IE IA

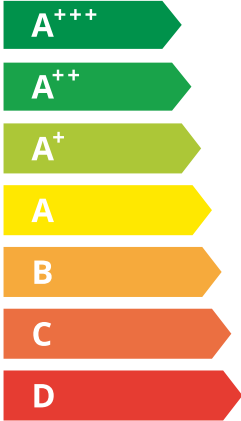
WAMAK

AWK 40 EVI



55 °C

35 °C



Speaker icon
--- dB

Microphone icon
65 dB

■ 38	■ 35
■ 36	■ 34
■ 35	■ 33
kW	kW

2019

811/2013

AWK 40 EVI

ErP Data

	55 °C	35 °C
Energy class	A++	A+++
η [%]	130.6	167.7
P_{rated} [kW]	36	34
Q_{HE} [kWh/y]	22246	16411
SCOP [-]	3.26	4.19
$T_{bivalent}$ [°C]	-7	-7

CONTROLLER



+ QAA55/75 class VII 3.5% ↓
 - QAA55/75 class III 1.5% ↓

Heating performance data

Version: v2024.010-AW

Average Climate / Low Temperature [35°C]

ZHI40K1P-TFD_R410A_1_AW

Operating conditions		Qh	P	COP
1	A7 / W30-35	43.0	9.8	4.39
2	A2 / W35	36.2	9.8	3.71
3	A-22 / W35	21.1	9.7	2.18
A	A-7 / W34	30.1	9.5	3.16
B	A2 / W30	36.1	8.8	4.11
C	A7 / W27	43.0	8.3	5.16
D	A12 / W24	51.1	7.9	6.46
E	A-10 / W35	29.4	9.7	3.03
F	A-7 / W34	30.1	9.5	3.16

SCOP DATA EN 14825:2018	
Average Climate / Low Temperature [35°C]	
SCOPon	4.28
SCOPnet	4.32
SCOP	4.19
η [%]	167.70
Label	A+++
Qh [kWh]	16410.62
Pdesignh [kW]	34.0
Tbivalent [°C]	-7.00

Average Climate / Medium Temperature [55°C]

Operating conditions		Qh	P	COP
1	A7 / W47-55	43.7	15.5	2.82
2	A2 / W55	37.3	15.4	2.42
3	A-22 / W55	22.9	14.3	1.49
A	A-7 / W52	31.2	14.3	2.18
B	A2 / W42	36.4	11.3	3.21
C	A7 / W36	43.0	10.0	4.30
D	A12 / W30	51.0	8.9	5.72
E	A-10 / W55	30.9	15.4	2.01
F	A-7 / W55	31.6	15.4	2.05

SCOP DATA EN 14825:2018	
Average Climate / Medium Temperature [55°C]	
SCOPon	3.31
SCOPnet	3.34
SCOP	3.26
η [%]	130.60
Label	A++
Qh [kWh]	22245.36
Pdesignh [kW]	35.7
Tbivalent [°C]	-7.00

Cooling performance data

Low temperature cooling W 12 / 7°C

Operating conditions		Qc	P	EER
A	A35 / W12-7	31.4	11.7	2.70
B	A30 / W12-7	32.4	10.4	3.11
C	A25 / W12-7	33.3	9.4	3.54
D	A20 / W12-7	34.1	8.5	4.01

SEER DATA EN 14825:2018 [W 12 / 7°C]	
SEERon	3.46
SEER	3.39
Qc [kWh]	6859.80
η [%]	135.57

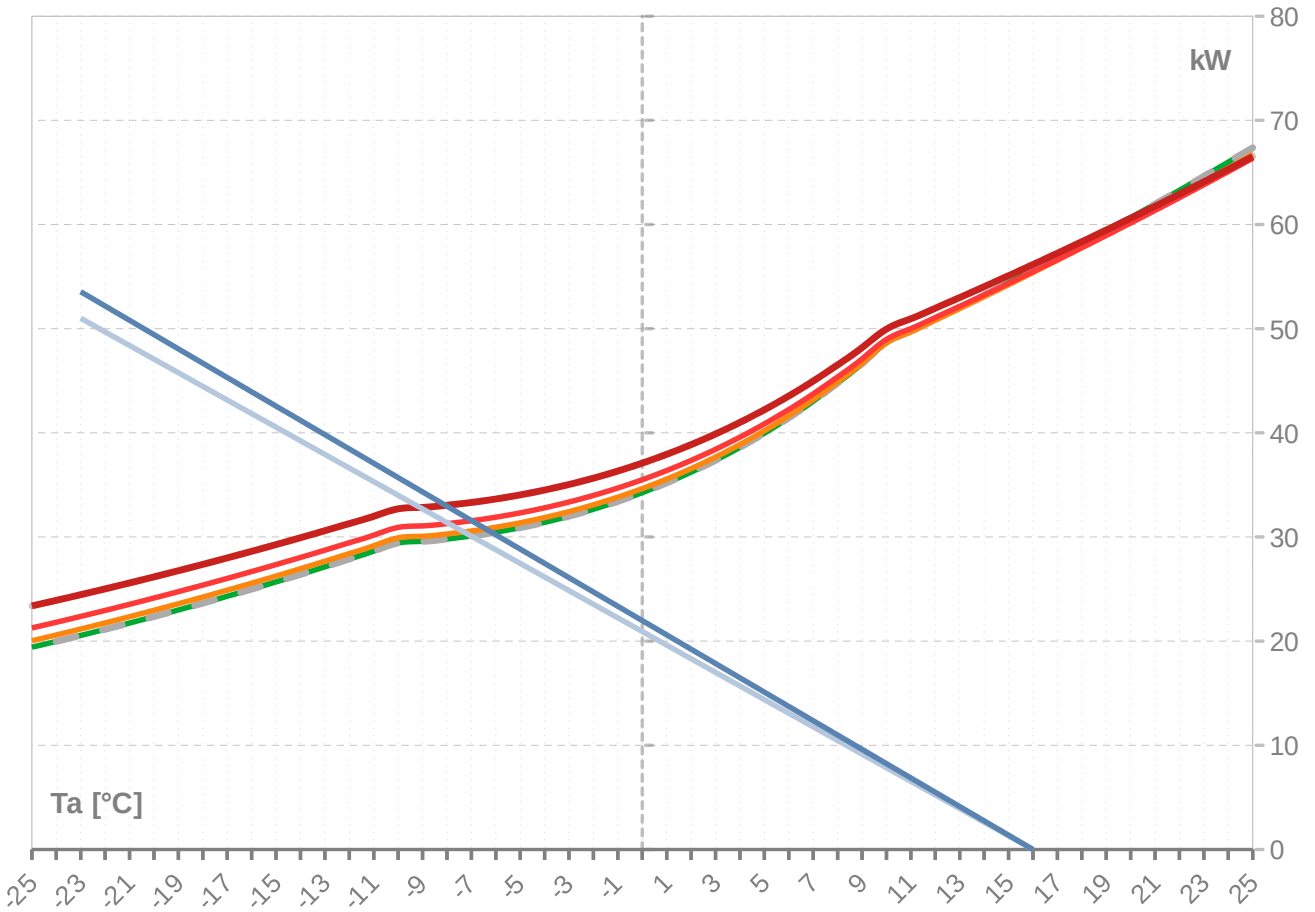
Radiant cooling W 23 / 18°C

Operating conditions		Qc	P	EER
A	A35 / W23-18	42.7	11.7	3.66
B	A30 / W23-18	43.8	9.8	4.20
C	A25 / W23-18	44.9	8.8	4.77
D	A20 / W23-18	45.8	8.0	5.39

SEER DATA EN 14825:2018 [W 23 / 18°C]	
SEERon	4.66
SEER	4.54
Qc [kWh]	5088.13
η [%]	181.54

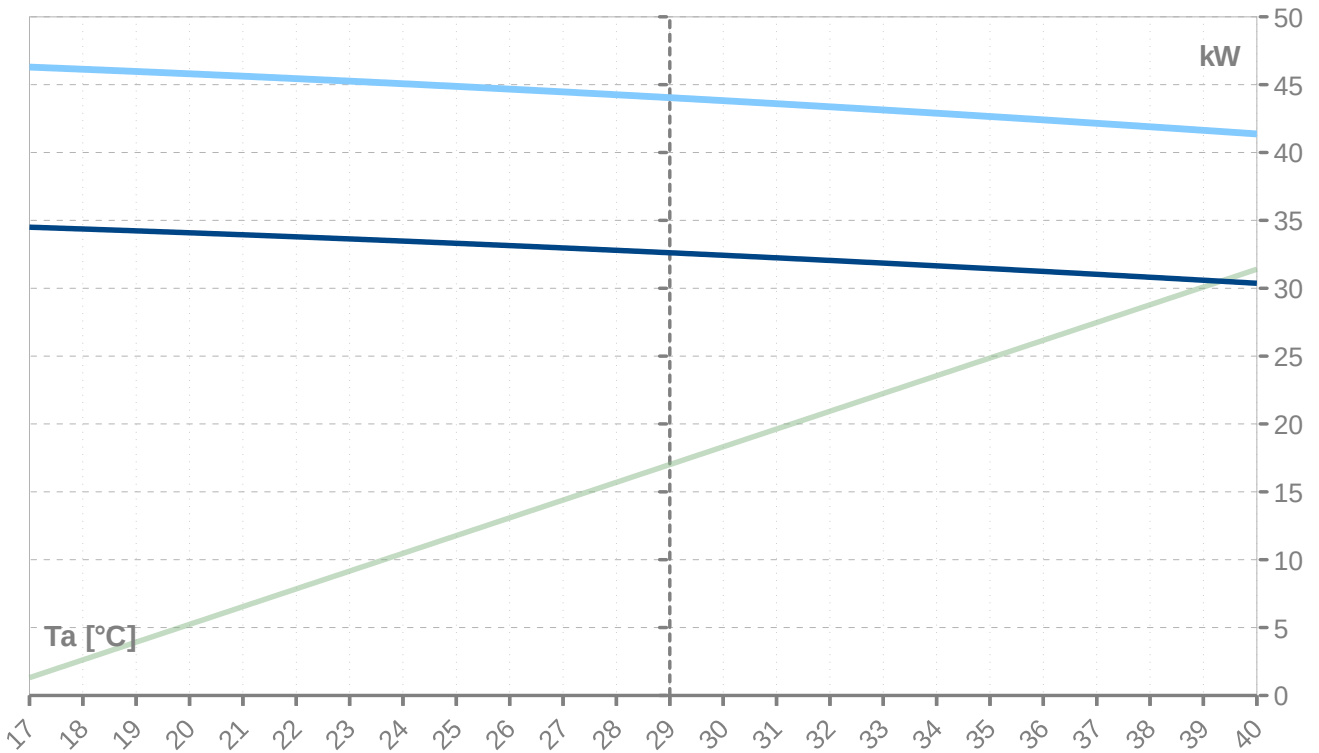
Performance lines - heating

- Qh-nom-35
 - - - Qh-min-35
 - - - Qh-max-65
 — Qh-nom-45
 — Qh-nom-55
- Qh-nom-65
 — Pratedh-35
 — Pratedh-55



Performance lines - cooling

- Pratedc
 — Qc-12/7
 — Qc-23/18



Th [°C]		35 °C								
Ta [°C]	Qh nom [kW]	Qh min [kW]	Qh max [kW]	Pin nom [kW]	Pin-min [kW]	Pin-max [kW]	COP kW / kW	I nom [A]	I min [A]	I max [A]
25	56.9	56.9		9.9	9.9		5.73	21.7	21.7	
24	56.9	56.9		9.9	9.9		5.73	21.7	21.7	
23	56.9	56.9		9.9	9.9		5.73	21.7	21.7	
22	56.9	56.9		9.9	9.9		5.73	21.7	21.7	
21	56.9	56.9		9.9	9.9		5.73	21.7	21.7	
20	56.9	56.9		9.9	9.9		5.73	21.7	21.7	
19	56.9	56.9		9.9	9.9		5.73	21.7	21.7	
18	56.9	56.9		9.9	9.9		5.73	21.7	21.7	
17	56.9	56.9		9.9	9.9		5.73	21.7	21.7	
16	55.6	55.6	55.6	9.9	9.9	9.9	5.61	21.7	21.7	21.7
15	54.4	54.4	54.4	9.9	9.9	9.9	5.50	21.7	21.7	21.7
14	53.2	53.2	53.2	9.9	9.9	9.9	5.38	21.8	21.8	21.8
13	52.1	52.1	52.1	9.9	9.9	9.9	5.27	21.8	21.8	21.8
12	50.9	50.9	50.9	9.9	9.9	9.9	5.16	21.8	21.8	21.8
11	49.8	49.8	49.8	9.9	9.9	9.9	5.04	21.8	21.8	21.8
10	48.6	48.6	48.6	9.9	9.9	9.9	4.94	21.8	21.8	21.8
9	46.6	46.6	46.6	9.8	9.8	9.8	4.74	21.8	21.8	21.8
8	44.8	44.8	44.8	9.8	9.8	9.8	4.56	21.8	21.8	21.8
7	43.0	43.0	43.0	9.8	9.8	9.8	4.39	21.8	21.8	21.8
6	41.4	41.4	41.4	9.8	9.8	9.8	4.23	21.8	21.8	21.8
5	40.0	40.0	40.0	9.8	9.8	9.8	4.08	21.8	21.8	21.8
4	38.6	38.6	38.6	9.8	9.8	9.8	3.95	21.8	21.8	21.8
3	37.4	37.4	37.4	9.8	9.8	9.8	3.83	21.8	21.8	21.8
2	36.2	36.2	36.2	9.8	9.8	9.8	3.71	21.8	21.8	21.8
1	35.2	35.2	35.2	9.7	9.7	9.7	3.61	21.8	21.8	21.8
0	34.3	34.3	34.3	9.7	9.7	9.7	3.52	21.8	21.8	21.8
-1	33.4	33.4	33.4	9.7	9.7	9.7	3.43	21.8	21.8	21.8
-2	32.7	32.7	32.7	9.7	9.7	9.7	3.36	21.8	21.8	21.8
-3	32.0	32.0	32.0	9.7	9.7	9.7	3.29	21.8	21.8	21.8
-4	31.4	31.4	31.4	9.7	9.7	9.7	3.23	21.7	21.7	21.7
-5	30.9	30.9	30.9	9.7	9.7	9.7	3.18	21.7	21.7	21.7
-6	30.5	30.5	30.5	9.7	9.7	9.7	3.13	21.7	21.7	21.7
-7	30.1	30.1	30.1	9.7	9.7	9.7	3.10	21.7	21.7	21.7
-8	29.8	29.8	29.8	9.7	9.7	9.7	3.07	21.7	21.7	21.7
-9	29.6	29.6	29.6	9.7	9.7	9.7	3.05	21.7	21.7	21.7
-10	29.4	29.4	29.4	9.7	9.7	9.7	3.03	21.7	21.7	21.7
-11	28.6	28.6	28.6	9.7	9.7	9.7	2.95	21.7	21.7	21.7
-12	27.9	27.9	27.9	9.7	9.7	9.7	2.87	21.7	21.7	21.7
-13	27.1	27.1	27.1	9.7	9.7	9.7	2.80	21.7	21.7	21.7
-14	26.4	26.4	26.4	9.7	9.7	9.7	2.72	21.7	21.7	21.7
-15	25.7	25.7	25.7	9.7	9.7	9.7	2.65	21.6	21.6	21.6
-16	25.0	25.0	25.0	9.7	9.7	9.7	2.58	21.6	21.6	21.6
-17	24.3	24.3	24.3	9.7	9.7	9.7	2.51	21.6	21.6	21.6
-18	23.6	23.6	23.6	9.7	9.7	9.7	2.44	21.6	21.6	21.6
-19	23.0	23.0	23.0	9.7	9.7	9.7	2.37	21.5	21.5	21.5
-20	22.4	22.4	22.4	9.7	9.7	9.7	2.31	21.5	21.5	21.5
-21	21.7	21.7	21.7	9.7	9.7	9.7	2.24	21.5	21.5	21.5
-22	21.1	21.1	21.1	9.7	9.7	9.7	2.18	21.4	21.4	21.4
-23	20.5	20.5	20.5	9.7	9.7	9.7	2.12	21.4	21.4	21.4
-24	20.0	20.0	20.0	9.7	9.7	9.7	2.06	21.4	21.4	21.4
-25	19.4	19.4	19.4	9.7	9.7	9.7	2.00	21.3	21.3	21.3

* attention: operating limits not reflected in performance table

ZHI40K1P-TFD_R410A_1_AW

Th [°C]		45 °C								
Ta [°C]	Qh nom [kW]	Qh min [kW]	Qh max [kW]	Pin nom [kW]	Pin-min [kW]	Pin-max [kW]	COP kW / kW	I nom [A]	I min [A]	I max [A]
25	66.7	66.7	66.7	12.5	12.5	12.5	5.36	24.1	24.1	24.1
24	65.4	65.4	65.4	12.4	12.4	12.4	5.26	24.0	24.0	24.0
23	64.1	64.1	64.1	12.4	12.4	12.4	5.16	24.0	24.0	24.0
22	62.8	62.8	62.8	12.4	12.4	12.4	5.06	24.0	24.0	24.0
21	61.5	61.5	61.5	12.4	12.4	12.4	4.96	24.0	24.0	24.0
20	60.3	60.3	60.3	12.4	12.4	12.4	4.87	24.0	24.0	24.0
19	59.0	59.0	59.0	12.4	12.4	12.4	4.77	24.0	24.0	24.0
18	57.8	57.8	57.8	12.4	12.4	12.4	4.68	24.0	24.0	24.0
17	56.6	56.6	56.6	12.3	12.3	12.3	4.58	23.9	23.9	23.9
16	55.4	55.4	55.4	12.3	12.3	12.3	4.49	23.9	23.9	23.9
15	54.2	54.2	54.2	12.3	12.3	12.3	4.40	23.9	23.9	23.9
14	53.1	53.1	53.1	12.3	12.3	12.3	4.31	23.9	23.9	23.9
13	51.9	51.9	51.9	12.3	12.3	12.3	4.22	23.9	23.9	23.9
12	50.8	50.8	50.8	12.3	12.3	12.3	4.14	23.9	23.9	23.9
11	49.7	49.7	49.7	12.3	12.3	12.3	4.05	23.9	23.9	23.9
10	48.6	48.6	48.6	12.3	12.3	12.3	3.97	23.9	23.9	23.9
9	46.7	46.7	46.7	12.2	12.2	12.2	3.81	23.8	23.8	23.8
8	44.9	44.9	44.9	12.2	12.2	12.2	3.67	23.8	23.8	23.8
7	43.2	43.2	43.2	12.2	12.2	12.2	3.54	23.8	23.8	23.8
6	41.6	41.6	41.6	12.2	12.2	12.2	3.41	23.8	23.8	23.8
5	40.2	40.2	40.2	12.2	12.2	12.2	3.30	23.7	23.7	23.7
4	38.9	38.9	38.9	12.2	12.2	12.2	3.19	23.7	23.7	23.7
3	37.7	37.7	37.7	12.2	12.2	12.2	3.10	23.7	23.7	23.7
2	36.6	36.6	36.6	12.1	12.1	12.1	3.01	23.7	23.7	23.7
1	35.6	35.6	35.6	12.1	12.1	12.1	2.93	23.7	23.7	23.7
0	34.6	34.6	34.6	12.1	12.1	12.1	2.85	23.6	23.6	23.6
-1	33.8	33.8	33.8	12.1	12.1	12.1	2.79	23.6	23.6	23.6
-2	33.1	33.1	33.1	12.1	12.1	12.1	2.73	23.6	23.6	23.6
-3	32.4	32.4	32.4	12.1	12.1	12.1	2.68	23.6	23.6	23.6
-4	31.9	31.9	31.9	12.1	12.1	12.1	2.63	23.6	23.6	23.6
-5	31.4	31.4	31.4	12.1	12.1	12.1	2.59	23.6	23.6	23.6
-6	30.9	30.9	30.9	12.1	12.1	12.1	2.55	23.5	23.5	23.5
-7	30.6	30.6	30.6	12.1	12.1	12.1	2.52	23.5	23.5	23.5
-8	30.3	30.3	30.3	12.1	12.1	12.1	2.50	23.5	23.5	23.5
-9	30.1	30.1	30.1	12.1	12.1	12.1	2.48	23.5	23.5	23.5
-10	29.9	29.9	29.9	12.1	12.1	12.1	2.47	23.5	23.5	23.5
-11	29.2	29.2	29.2	12.1	12.1	12.1	2.41	23.5	23.5	23.5
-12	28.4	28.4	28.4	12.1	12.1	12.1	2.35	23.5	23.5	23.5
-13	27.7	27.7	27.7	12.1	12.1	12.1	2.29	23.4	23.4	23.4
-14	27.0	27.0	27.0	12.1	12.1	12.1	2.23	23.4	23.4	23.4
-15	26.2	26.2	26.2	12.1	12.1	12.1	2.17	23.4	23.4	23.4
-16	25.6	25.6	25.6	12.1	12.1	12.1	2.11	23.4	23.4	23.4
-17	24.9	24.9	24.9	12.1	12.1	12.1	2.06	23.3	23.3	23.3
-18	24.2	24.2	24.2	12.1	12.1	12.1	2.00	23.3	23.3	23.3
-19	23.6	23.6	23.6	12.1	12.1	12.1	1.95	23.3	23.3	23.3
-20	23.0	23.0	23.0	12.1	12.1	12.1	1.90	23.2	23.2	23.2
-21	22.3	22.3	22.3	12.1	12.1	12.1	1.85	23.2	23.2	23.2
-22	21.7	21.7	21.7	12.1	12.1	12.1	1.80	23.2	23.2	23.2
-23	21.2	21.2	21.2	12.1	12.1	12.1	1.75	23.1	23.1	23.1
-24	20.6	20.6	20.6	12.1	12.1	12.1	1.70	23.1	23.1	23.1
-25	20.0	20.0	20.0	12.1	12.1	12.1	1.65	23.1	23.1	23.1

* attention: operating limits not reflected in performance table

Th [°C]		55 °C								
Ta [°C]	Qh nom [kW]	Qh min [kW]	Qh max [kW]	Pin nom [kW]	Pin-min [kW]	Pin-max [kW]	COP kW / kW	I nom [A]	I min [A]	I max [A]
25	66.4	66.4	66.4	15.8	15.8	15.8	4.21	27.3	27.3	27.3
24	65.1	65.1	65.1	15.8	15.8	15.8	4.13	27.3	27.3	27.3
23	63.8	63.8	63.8	15.7	15.7	15.7	4.05	27.3	27.3	27.3
22	62.6	62.6	62.6	15.7	15.7	15.7	3.98	27.2	27.2	27.2
21	61.3	61.3	61.3	15.7	15.7	15.7	3.90	27.2	27.2	27.2
20	60.1	60.1	60.1	15.7	15.7	15.7	3.83	27.2	27.2	27.2
19	58.9	58.9	58.9	15.7	15.7	15.7	3.76	27.2	27.2	27.2
18	57.8	57.8	57.8	15.7	15.7	15.7	3.69	27.2	27.2	27.2
17	56.6	56.6	56.6	15.7	15.7	15.7	3.62	27.1	27.1	27.1
16	55.5	55.5	55.5	15.6	15.6	15.6	3.55	27.1	27.1	27.1
15	54.3	54.3	54.3	15.6	15.6	15.6	3.48	27.1	27.1	27.1
14	53.2	53.2	53.2	15.6	15.6	15.6	3.41	27.1	27.1	27.1
13	52.1	52.1	52.1	15.6	15.6	15.6	3.34	27.1	27.1	27.1
12	51.1	51.1	51.1	15.6	15.6	15.6	3.28	27.0	27.0	27.0
11	50.0	50.0	50.0	15.6	15.6	15.6	3.21	27.0	27.0	27.0
10	49.0	49.0	49.0	15.6	15.6	15.6	3.15	27.0	27.0	27.0
9	47.1	47.1	47.1	15.5	15.5	15.5	3.03	27.0	27.0	27.0
8	45.4	45.4	45.4	15.5	15.5	15.5	2.92	26.9	26.9	26.9
7	43.7	43.7	43.7	15.5	15.5	15.5	2.82	26.9	26.9	26.9
6	42.2	42.2	42.2	15.5	15.5	15.5	2.73	26.9	26.9	26.9
5	40.9	40.9	40.9	15.5	15.5	15.5	2.64	26.9	26.9	26.9
4	39.6	39.6	39.6	15.5	15.5	15.5	2.56	26.9	26.9	26.9
3	38.4	38.4	38.4	15.4	15.4	15.4	2.49	26.8	26.8	26.8
2	37.3	37.3	37.3	15.4	15.4	15.4	2.42	26.8	26.8	26.8
1	36.4	36.4	36.4	15.4	15.4	15.4	2.36	26.8	26.8	26.8
0	35.5	35.5	35.5	15.4	15.4	15.4	2.30	26.8	26.8	26.8
-1	34.7	34.7	34.7	15.4	15.4	15.4	2.25	26.8	26.8	26.8
-2	34.0	34.0	34.0	15.4	15.4	15.4	2.21	26.8	26.8	26.8
-3	33.4	33.4	33.4	15.4	15.4	15.4	2.16	26.7	26.7	26.7
-4	32.8	32.8	32.8	15.4	15.4	15.4	2.13	26.7	26.7	26.7
-5	32.3	32.3	32.3	15.4	15.4	15.4	2.10	26.7	26.7	26.7
-6	31.9	31.9	31.9	15.4	15.4	15.4	2.07	26.7	26.7	26.7
-7	31.6	31.6	31.6	15.4	15.4	15.4	2.05	26.7	26.7	26.7
-8	31.3	31.3	31.3	15.4	15.4	15.4	2.03	26.7	26.7	26.7
-9	31.1	31.1	31.1	15.4	15.4	15.4	2.02	26.7	26.7	26.7
-10	30.9	30.9	30.9	15.4	15.4	15.4	2.01	26.7	26.7	26.7
-11	30.2	30.2	30.2	15.4	15.4	15.4	1.96	26.7	26.7	26.7
-12	29.4	29.4	29.4	15.4	15.4	15.4	1.91	26.7	26.7	26.7
-13	28.7	28.7	28.7	15.4	15.4	15.4	1.87	26.6	26.6	26.6
-14	28.0	28.0	28.0	15.4	15.4	15.4	1.82	26.6	26.6	26.6
-15	27.3	27.3	27.3	15.4	15.4	15.4	1.78	26.6	26.6	26.6
-16	26.7	26.7	26.7	15.4	15.4	15.4	1.73	26.6	26.6	26.6
-17	26.0	26.0	26.0	15.4	15.4	15.4	1.69	26.6	26.6	26.6
-18	25.4	25.4	25.4	15.4	15.4	15.4	1.65	26.5	26.5	26.5
-19	24.7	24.7	24.7	15.4	15.4	15.4	1.61	26.5	26.5	26.5
-20	24.1	24.1	24.1	15.4	15.4	15.4	1.57	26.5	26.5	26.5
-21	23.5	23.5	23.5	15.4	15.4	15.4	1.53	26.5	26.5	26.5
-22	22.9	22.9	22.9	15.4	15.4	15.4	1.49	26.5	26.5	26.5
-23	22.4	22.4	22.4	15.4	15.4	15.4	1.45	26.4	26.4	26.4
-24	21.8	21.8	21.8	15.4	15.4	15.4	1.41	26.4	26.4	26.4
-25	21.3	21.3	21.3	15.5	15.5	15.5	1.38	26.4	26.4	26.4

* attention: operating limits not reflected in performance table

Th [°C]		T-Max @ 65 °C								
Ta [°C]	Qh nom [kW]	Qh min [kW]	Qh max [kW]	Pin nom [kW]	Pin-min [kW]	Pin-max [kW]	COP kW / kW	I nom [A]	I min [A]	I max [A]
25	66.5	66.5	66.5	20.3	20.3	20.3	3.28	32.7	32.7	32.7
24	65.3	65.3	65.3	20.2	20.2	20.2	3.23	32.7	32.7	32.7
23	64.1	64.1	64.1	20.2	20.2	20.2	3.17	32.7	32.7	32.7
22	62.9	62.9	62.9	20.2	20.2	20.2	3.11	32.7	32.7	32.7
21	61.8	61.8	61.8	20.2	20.2	20.2	3.06	32.7	32.7	32.7
20	60.6	60.6	60.6	20.2	20.2	20.2	3.00	32.7	32.7	32.7
19	59.5	59.5	59.5	20.2	20.2	20.2	2.95	32.6	32.6	32.6
18	58.3	58.3	58.3	20.1	20.1	20.1	2.90	32.6	32.6	32.6
17	57.2	57.2	57.2	20.1	20.1	20.1	2.85	32.6	32.6	32.6
16	56.2	56.2	56.2	20.1	20.1	20.1	2.79	32.6	32.6	32.6
15	55.1	55.1	55.1	20.1	20.1	20.1	2.74	32.6	32.6	32.6
14	54.0	54.0	54.0	20.1	20.1	20.1	2.69	32.6	32.6	32.6
13	53.0	53.0	53.0	20.1	20.1	20.1	2.64	32.6	32.6	32.6
12	52.0	52.0	52.0	20.0	20.0	20.0	2.59	32.6	32.6	32.6
11	51.0	51.0	51.0	20.0	20.0	20.0	2.54	32.6	32.6	32.6
10	50.0	50.0	50.0	20.0	20.0	20.0	2.50	32.6	32.6	32.6
9	48.2	48.2	48.2	20.0	20.0	20.0	2.41	32.5	32.5	32.5
8	46.5	46.5	46.5	20.0	20.0	20.0	2.33	32.5	32.5	32.5
7	45.0	45.0	45.0	20.0	20.0	20.0	2.25	32.5	32.5	32.5
6	43.5	43.5	43.5	19.9	19.9	19.9	2.18	32.5	32.5	32.5
5	42.2	42.2	42.2	19.9	19.9	19.9	2.12	32.5	32.5	32.5
4	41.0	41.0	41.0	19.9	19.9	19.9	2.06	32.5	32.5	32.5
3	39.9	39.9	39.9	19.9	19.9	19.9	2.00	32.5	32.5	32.5
2	38.9	38.9	38.9	19.9	19.9	19.9	1.95	32.5	32.5	32.5
1	37.9	37.9	37.9	19.9	19.9	19.9	1.91	32.5	32.5	32.5
0	37.1	37.1	37.1	19.9	19.9	19.9	1.87	32.5	32.5	32.5
-1	36.3	36.3	36.3	19.9	19.9	19.9	1.83	32.5	32.5	32.5
-2	35.6	35.6	35.6	19.9	19.9	19.9	1.79	32.6	32.6	32.6
-3	35.0	35.0	35.0	19.9	19.9	19.9	1.76	32.6	32.6	32.6
-4	34.5	34.5	34.5	19.9	19.9	19.9	1.74	32.6	32.6	32.6
-5	34.0	34.0	34.0	19.9	19.9	19.9	1.71	32.6	32.6	32.6
-6	33.6	33.6	33.6	19.9	19.9	19.9	1.69	32.6	32.6	32.6
-7	33.3	33.3	33.3	19.9	19.9	19.9	1.68	32.6	32.6	32.6
-8	33.0	33.0	33.0	19.9	19.9	19.9	1.66	32.6	32.6	32.6
-9	32.8	32.8	32.8	19.9	19.9	19.9	1.65	32.6	32.6	32.6
-10	32.7	32.7	32.7	19.9	19.9	19.9	1.65	32.6	32.6	32.6
-11	32.0	32.0	32.0	19.9	19.9	19.9	1.61	32.6	32.6	32.6
-12	31.3	31.3	31.3	19.9	19.9	19.9	1.57	32.6	32.6	32.6
-13	30.6	30.6	30.6	19.9	19.9	19.9	1.54	32.6	32.6	32.6
-14	29.9	29.9	29.9	19.9	19.9	19.9	1.51	32.6	32.6	32.6
-15	29.3	29.3	29.3	19.9	19.9	19.9	1.47	32.6	32.6	32.6
-16										
-17										
-18										
-19										
-20										
-21										
-22										
-23										
-24										
-25										

* attention: operating limits not reflected in performance table

Tc [°C]		W 12 / 7 °C								
Ta [°C]	Qc nom [kW]	Qc min [kW]	Qc max [kW]	Pin [kW]	Pin min [kW]	Pin max [kW]	EER kW / kW	I nom [A]	I min [A]	I max [A]
40	30.4	30.4	30.4	13.1	13.1	13.1	2.32	24.5	24.5	24.5
39	30.6	30.6	30.6	12.8	12.8	12.8	2.40	24.3	24.3	24.3
38	30.8	30.8	30.8	12.5	12.5	12.5	2.47	24.0	24.0	24.0
37	31.0	31.0	31.0	12.2	12.2	12.2	2.54	23.8	23.8	23.8
36	31.2	31.2	31.2	11.9	11.9	11.9	2.62	23.5	23.5	23.5
35	31.4	31.4	31.4	11.7	11.7	11.7	2.70	23.3	23.3	23.3
34	31.7	31.7	31.7	11.4	11.4	11.4	2.78	23.1	23.1	23.1
33	31.9	31.9	31.9	11.1	11.1	11.1	2.86	22.9	22.9	22.9
32	32.0	32.0	32.0	10.9	10.9	10.9	2.94	22.7	22.7	22.7
31	32.2	32.2	32.2	10.7	10.7	10.7	3.02	22.5	22.5	22.5
30	32.4	32.4	32.4	10.4	10.4	10.4	3.11	22.3	22.3	22.3
29	32.6	32.6	32.6	10.2	10.2	10.2	3.19	22.2	22.2	22.2
28	32.8	32.8	32.8	10.0	10.0	10.0	3.28	22.0	22.0	22.0
27	33.0	33.0	33.0	9.8	9.8	9.8	3.37	21.8	21.8	21.8
26	33.1	33.1	33.1	9.6	9.6	9.6	3.45	21.6	21.6	21.6
25	33.3	33.3	33.3	9.4	9.4	9.4	3.54	21.4	21.4	21.4
24	33.5	33.5	33.5	9.2	9.2	9.2	3.64	21.2	21.2	21.2
23	33.6	33.6	33.6	9.0	9.0	9.0	3.73	21.0	21.0	21.0
22	33.8	33.8	33.8	8.8	8.8	8.8	3.82	20.8	20.8	20.8
21	33.9	33.9	33.9	8.7	8.7	8.7	3.92	20.6	20.6	20.6
20	34.1	34.1	34.1	8.5	8.5	8.5	4.01	20.4	20.4	20.4
19	34.2	34.2	34.2	8.3	8.3	8.3	4.11	20.2	20.2	20.2
18	34.4	34.4	34.4	8.2	8.2	8.2	4.21	19.9	19.9	19.9
17	34.5	34.5	34.5	8.0	8.0	8.0	4.31	19.7	19.7	19.7

Tc [°C]		W 23 / 18 °C								
Ta [°C]	Qc [kW]	Qh-min [kW]	Qh-max [kW]	Pin [kW]	Pin-min [kW]	Pin-max [kW]	EER kW / kW	I [A]	I-min [A]	I-max [A]
40	41.4	41.4	41.4	13.1	13.1	13.1	3.16	24.7	24.7	24.7
39	41.6	41.6	41.6	12.8	12.8	12.8	3.26	24.4	24.4	24.4
38	41.9	41.9	41.9	12.5	12.5	12.5	3.36	24.2	24.2	24.2
37	42.2	42.2	42.2	12.2	12.2	12.2	3.46	23.9	23.9	23.9
36	42.4	42.4	42.4	11.9	11.9	11.9	3.56	23.7	23.7	23.7
35	42.7	42.7	42.7	11.7	11.7	11.7	3.66	23.4	23.4	23.4
34	42.9	42.9	42.9	11.4	11.4	11.4	3.76	23.2	23.2	23.2
33	43.1	43.1	43.1	11.1	11.1	11.1	3.87	23.0	23.0	23.0
32	43.4	43.4	43.4	10.9	10.9	10.9	3.98	22.8	22.8	22.8
31	43.6	43.6	43.6	10.7	10.7	10.7	4.09	22.6	22.6	22.6
30	43.8	43.8	43.8	10.4	10.4	10.4	4.20	22.4	22.4	22.4
29	44.0	44.0	44.0	10.2	10.2	10.2	4.31	22.2	22.2	22.2
28	44.3	44.3	44.3	10.0	10.0	10.0	4.42	22.0	22.0	22.0
27	44.5	44.5	44.5	9.8	9.8	9.8	4.54	21.8	21.8	21.8
26	44.7	44.7	44.7	9.6	9.6	9.6	4.66	21.5	21.5	21.5
25	44.9	44.9	44.9	9.4	9.4	9.4	4.77	21.3	21.3	21.3
24	45.1	45.1	45.1	9.2	9.2	9.2	4.89	21.1	21.1	21.1
23	45.3	45.3	45.3	9.0	9.0	9.0	5.02	20.9	20.9	20.9
22	45.4	45.4	45.4	8.8	8.8	8.8	5.14	20.6	20.6	20.6
21	45.6	45.6	45.6	8.7	8.7	8.7	5.26	20.4	20.4	20.4
20	45.8	45.8	45.8	8.5	8.5	8.5	5.39	20.1	20.1	20.1
19	46.0	46.0	46.0	8.3	8.3	8.3	5.52	19.9	19.9	19.9
18	46.1	46.1	46.1	8.2	8.2	8.2	5.65	19.6	19.6	19.6
17	46.3	46.3	46.3	8.0	8.0	8.0	5.78	19.3	19.3	19.3

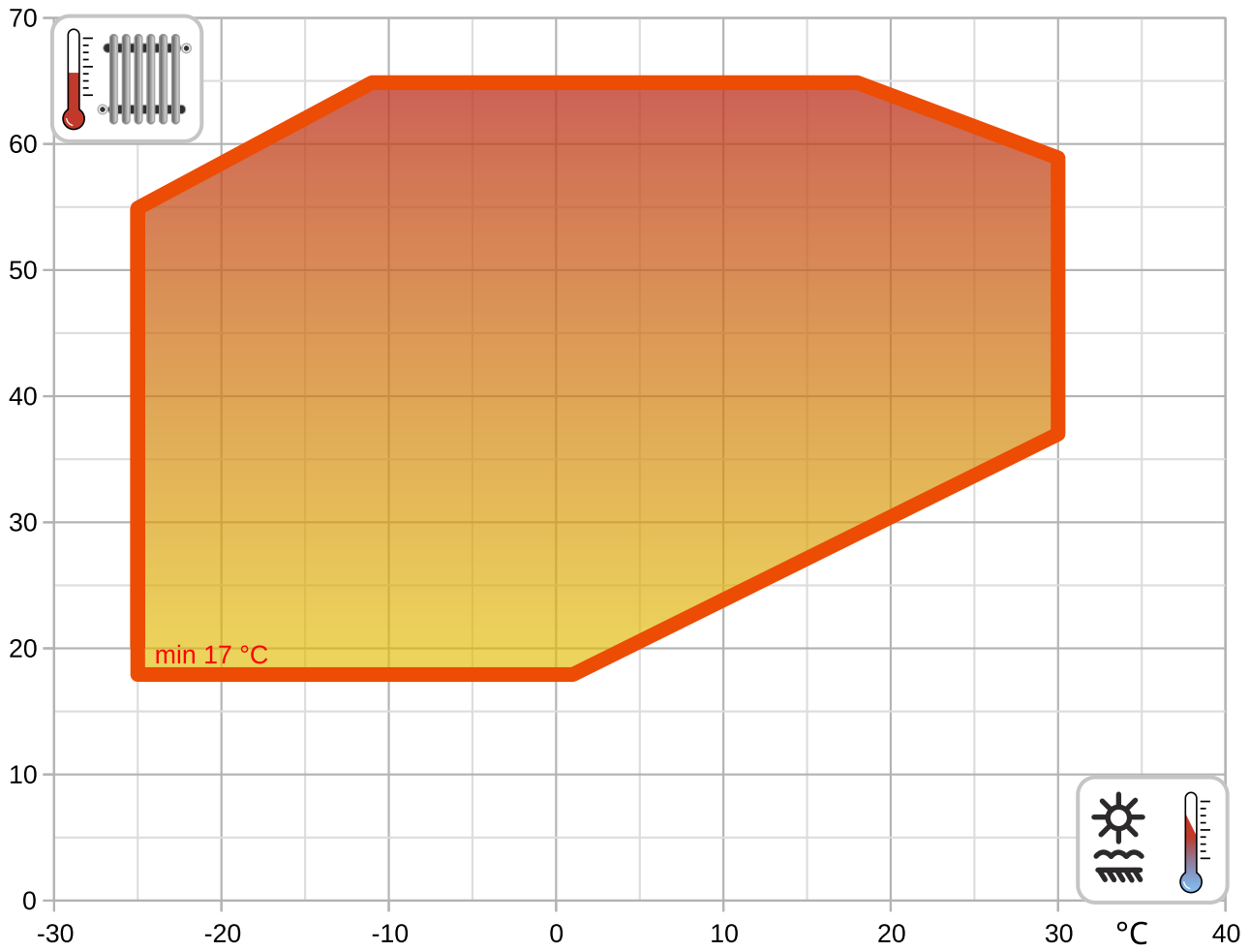
* attention: operating limits not reflected in performance table

LEGENDE:

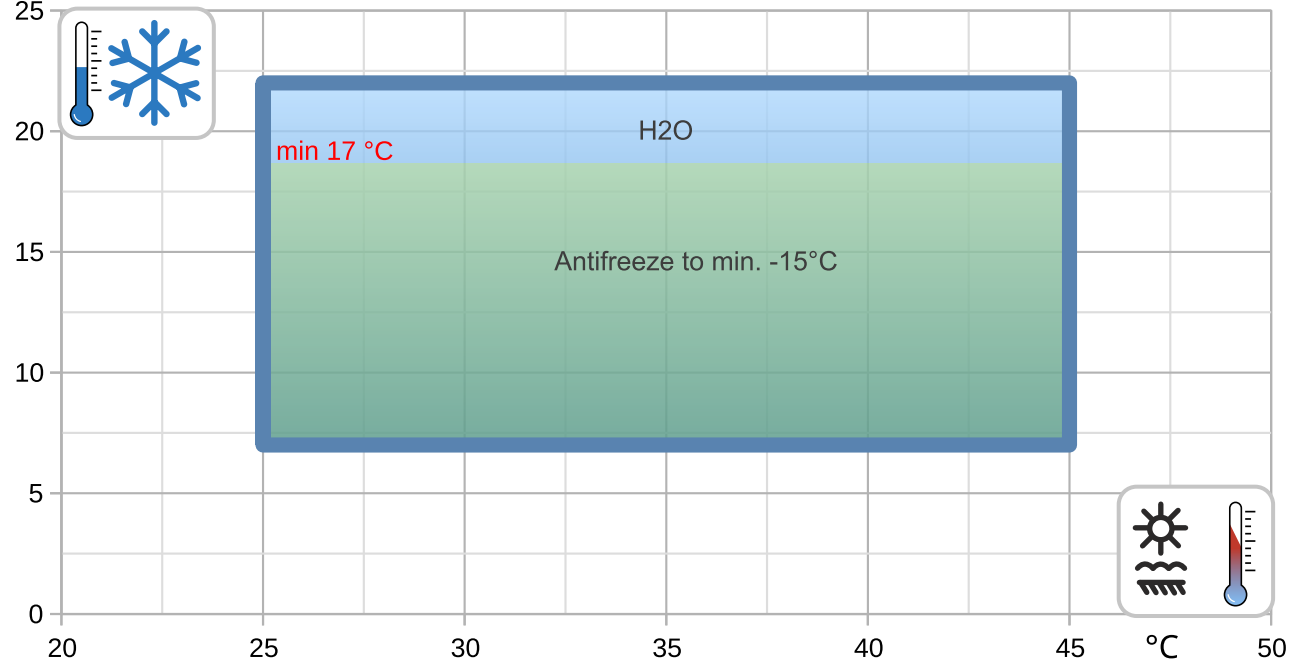
Ts-IN: Temperature renewable source - inlet [°C]
Th-OU: Temperature heating - outlet (flow) [°C]
Tc-OU: Temperature cooling - outlet (flow) [°C]
Qh nom: Heating capacity nominal
Qh min: Heating capacity minimal
Qh max: Heating capacity maximal
Pin nom: Power input at nominal heating capacity
Pin min: Power input at minimal heating capacity
Pin max: Power input at maximal heating capacity
COP nom: coefficient of performance at nominal heating capacity
Qc nom: cooling / heat extraction capacity at nominal heating capacity
Qc min: cooling / heat extraction at minimal heating capacity
Qc max: cooling / heat extraction at maximal heating capacity
I nom: Current at nominal heating capacity
EER: energy efficiency ratio at nominal cooling capacity

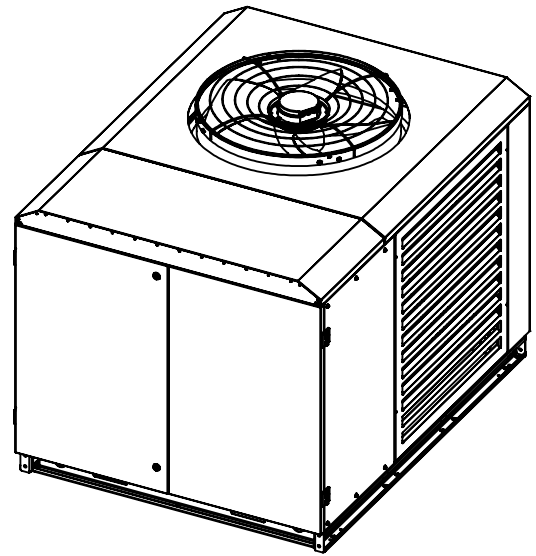
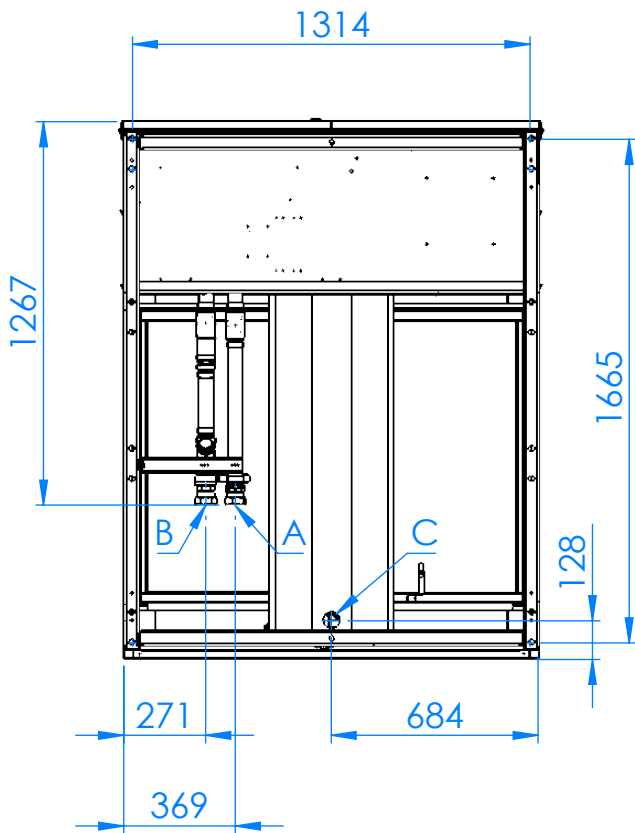
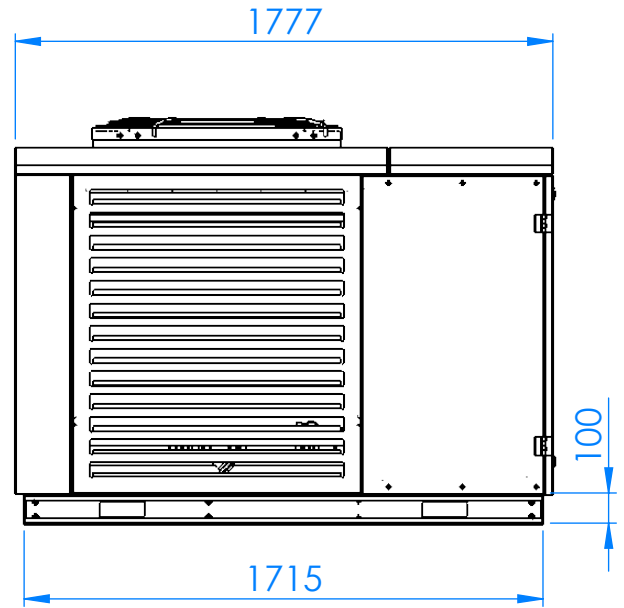
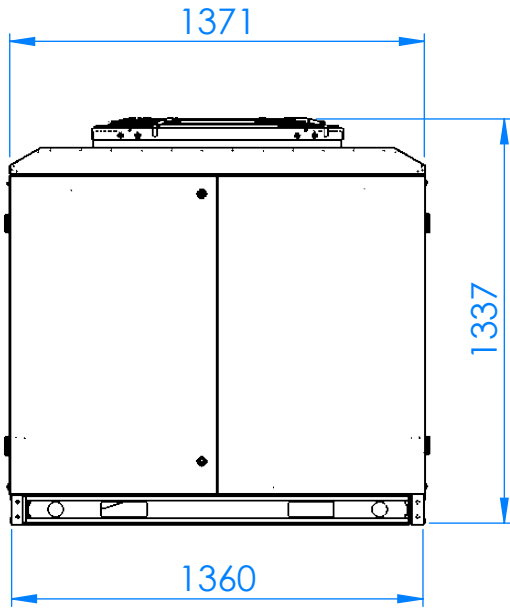
Operating limits





°C

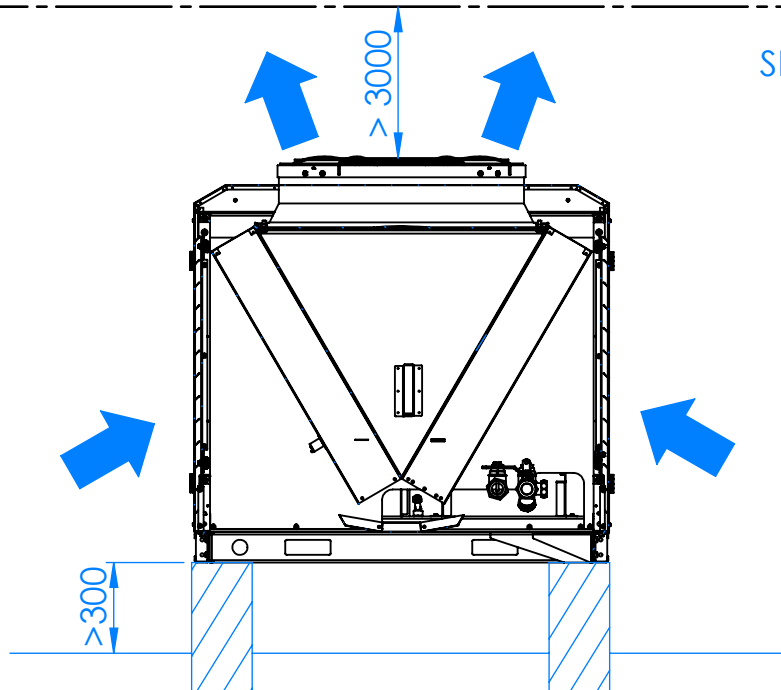
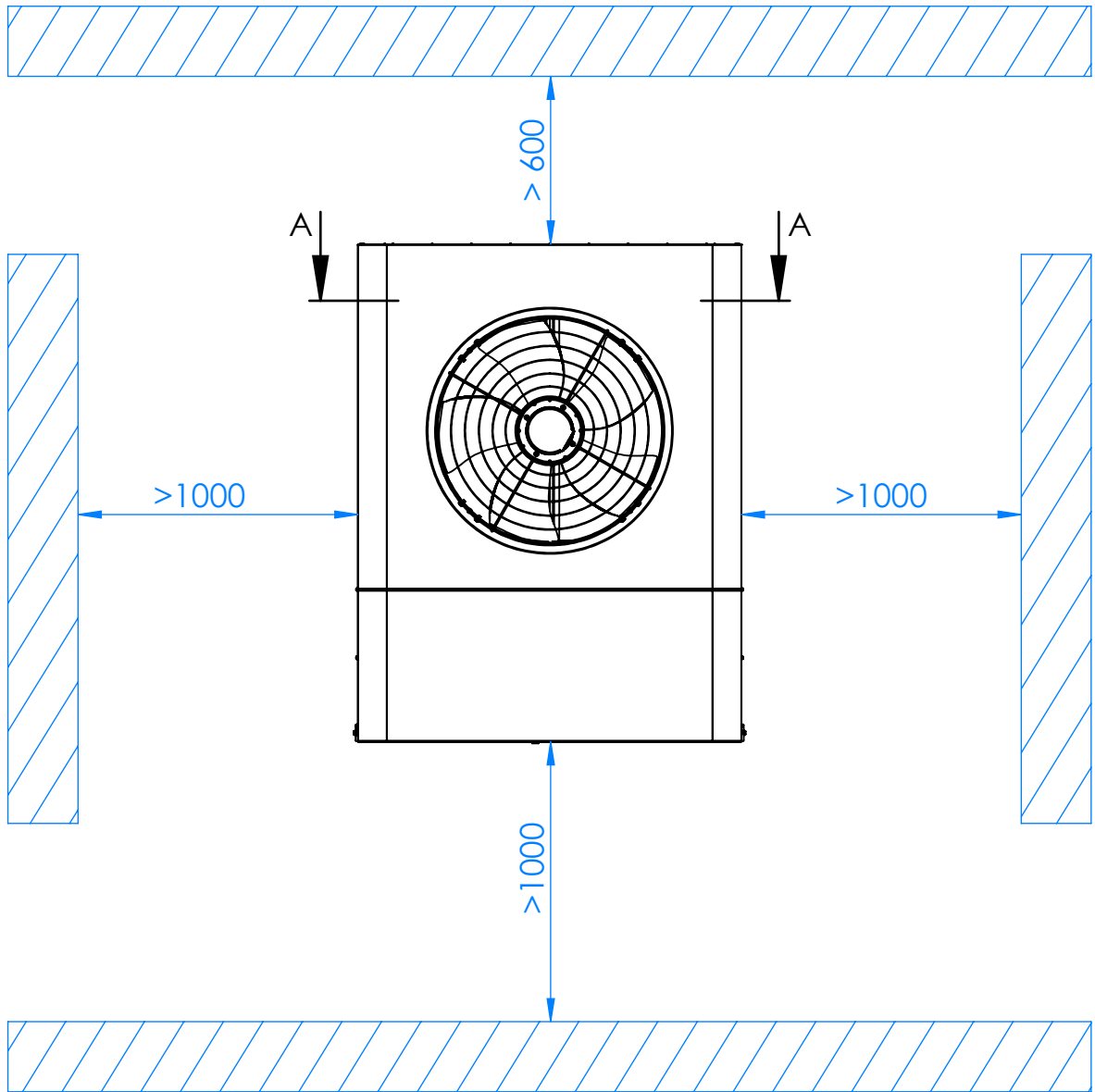


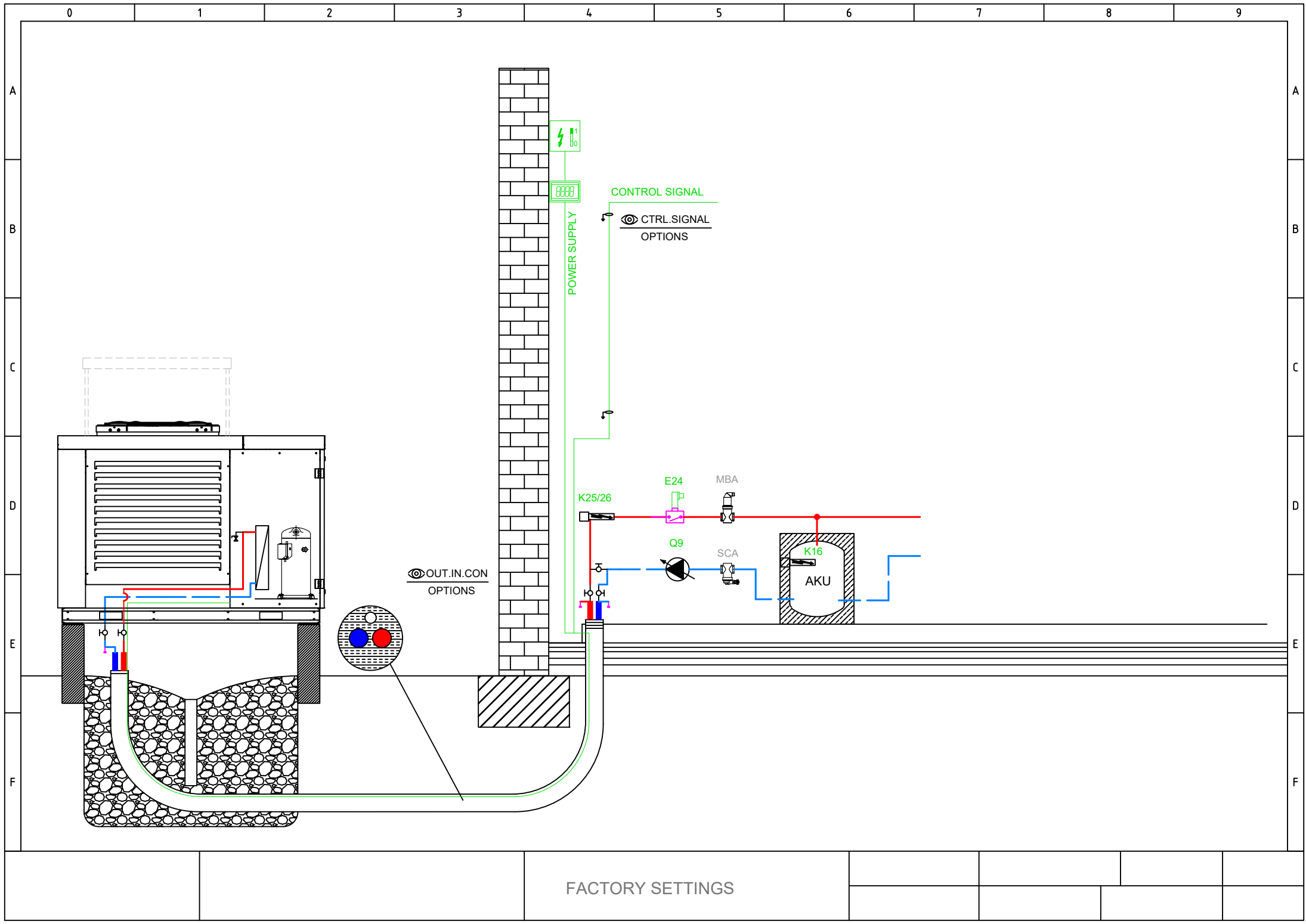
°C

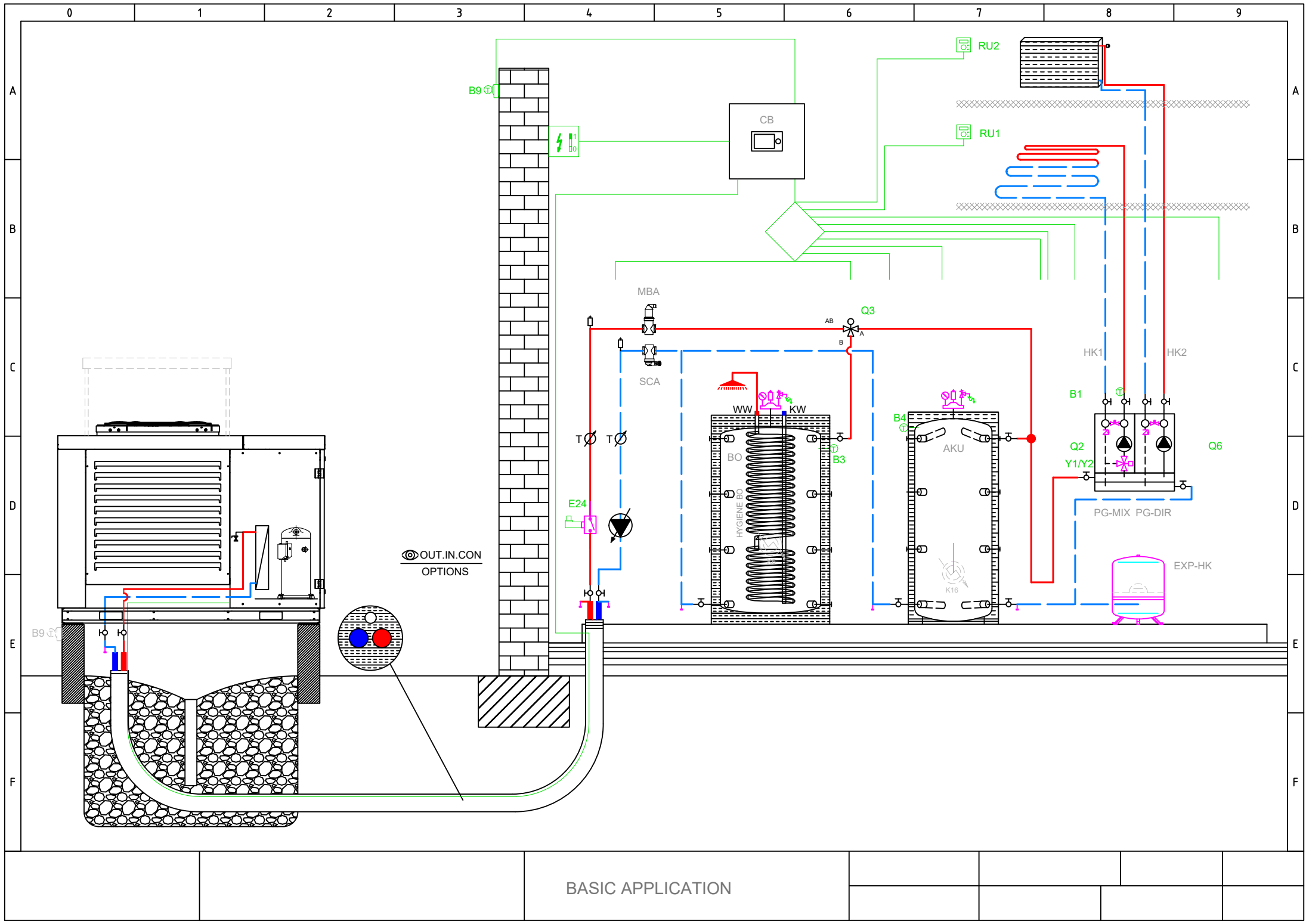


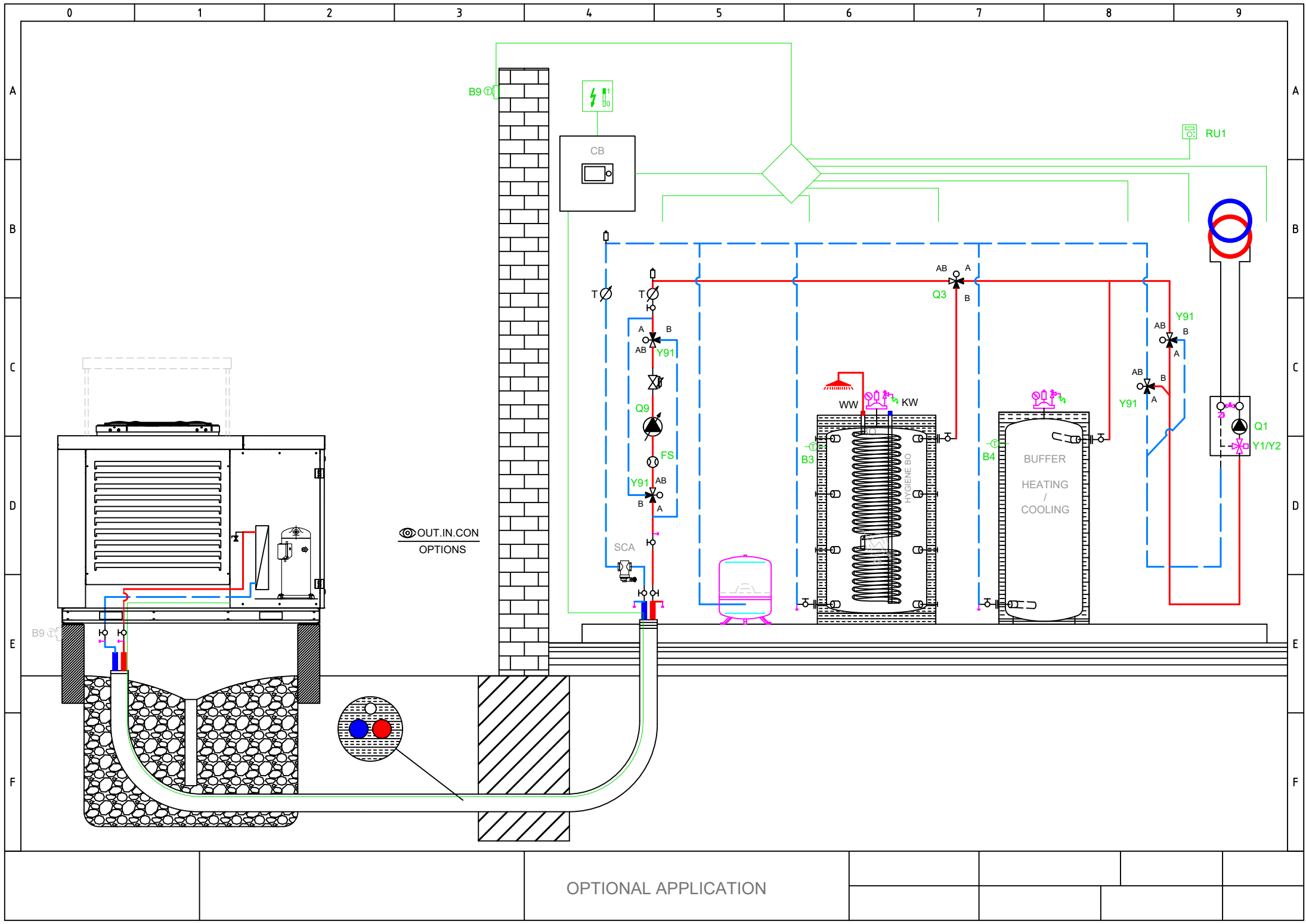


- A -  → 
- B -  ← 
- C - Condens









Main power supply 230V / 50 Hz
Ground
Neutral conductor

- E10 High-pressure switch E10
- E11 Overload compressor 1 E11
- E14 Overload source E14
- E24 Flow switch consumers E24
- K82 Valve EVI K82

K40 Crankcase heater K40

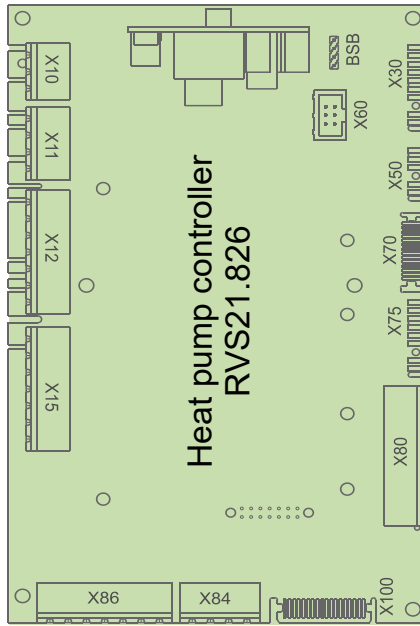
- L Phase 230V
- K1 Compressor stage 1 K1
- Y22 Process revers valve Y22

Q9 Condenser pump Q9

X10	1	L
X10	1	PE
X10	1	N
X11	1	EX1
X11	1	EX2
X11	1	EX3
X11	1	EX4
X12	1	QX1
X12	1	N
X12	1	QX2
X12	1	QX2i
X12	1	N
X12	1	FX3
X12	1	QX3
X15	1	QX4
X15	1	QX4i
X15	1	N
X15	1	QX5
X15	1	N
X15	1	ZX6
X15	1	N
X86	1	GX1
X86	1	H3
X86	1	M
X86	1	H1
X86	1	G+
X86	1	M
X86	1	BSB



Total: max 6A
1 x QX...: max 2A



BSB
X30
X60
X50
X70

- BSB Connection service tool (OCI700)
- X30 Operating unit (HMI) AVS37.xxx
- X60 Modbus clip-in OCI351.01
- X50 Extension module AVS75.xxx
- X70 LPB clip-in

D1
D2
D3
UX3
M
DI6
DI7
M

- D1 Digital output 1 Heating
- D2 Digital output 2 Cooling
- D3 Digital output 3 HP On/Off

- DI6 Digital input 6 Defrosting
- DI7 Digital input 7 Alarm

BX1
M
BX2
M
UX1
M
UX2
M

- B91 Source inlet sensor B91
- B84 Source outl sens B92/B84
- K19 Fan K19
- 0..10 V Signal
- Q9 Condenser pump Q9
- PWM Signal

BX3
M
BX4
M

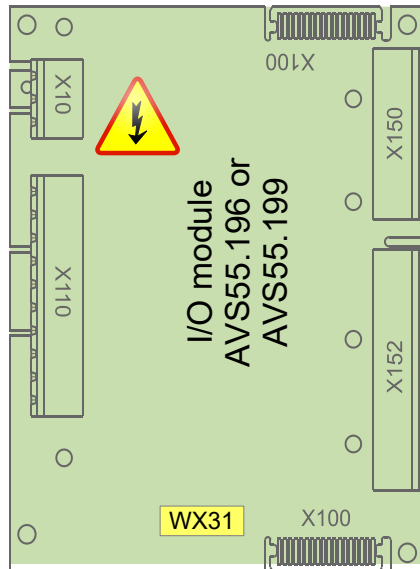
- B71 HP return sensor B71
- B9 Outside sensor B9

Main power supply 230V / 50 Hz
Ground
Neutral conductor

K10 Alarm output K10

V81 EEV evaporator V81

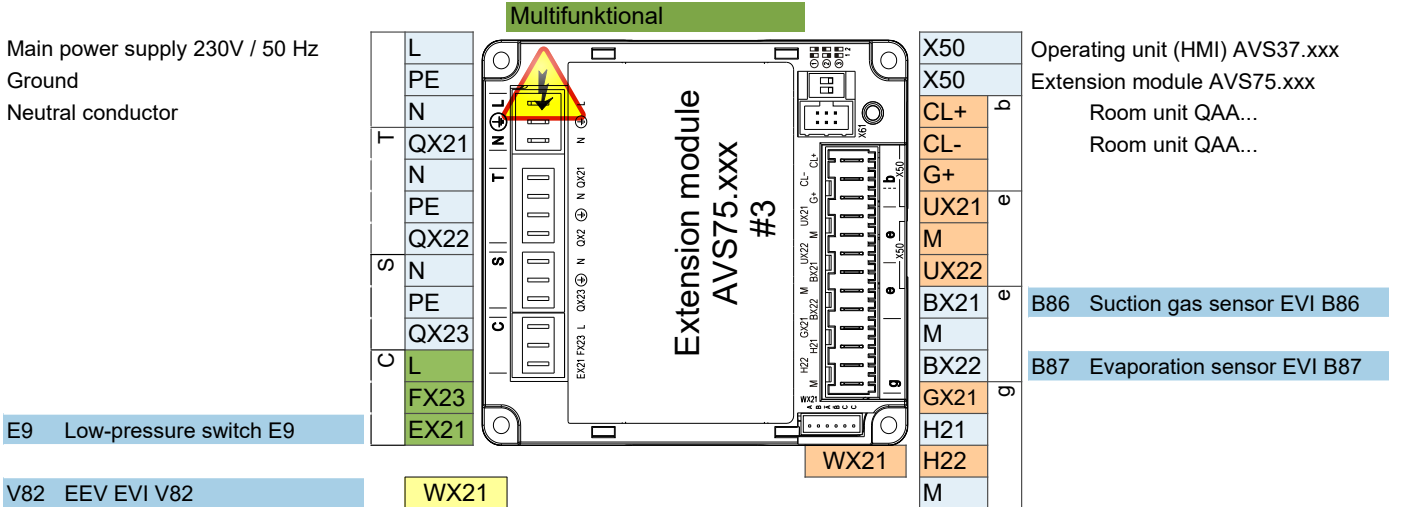
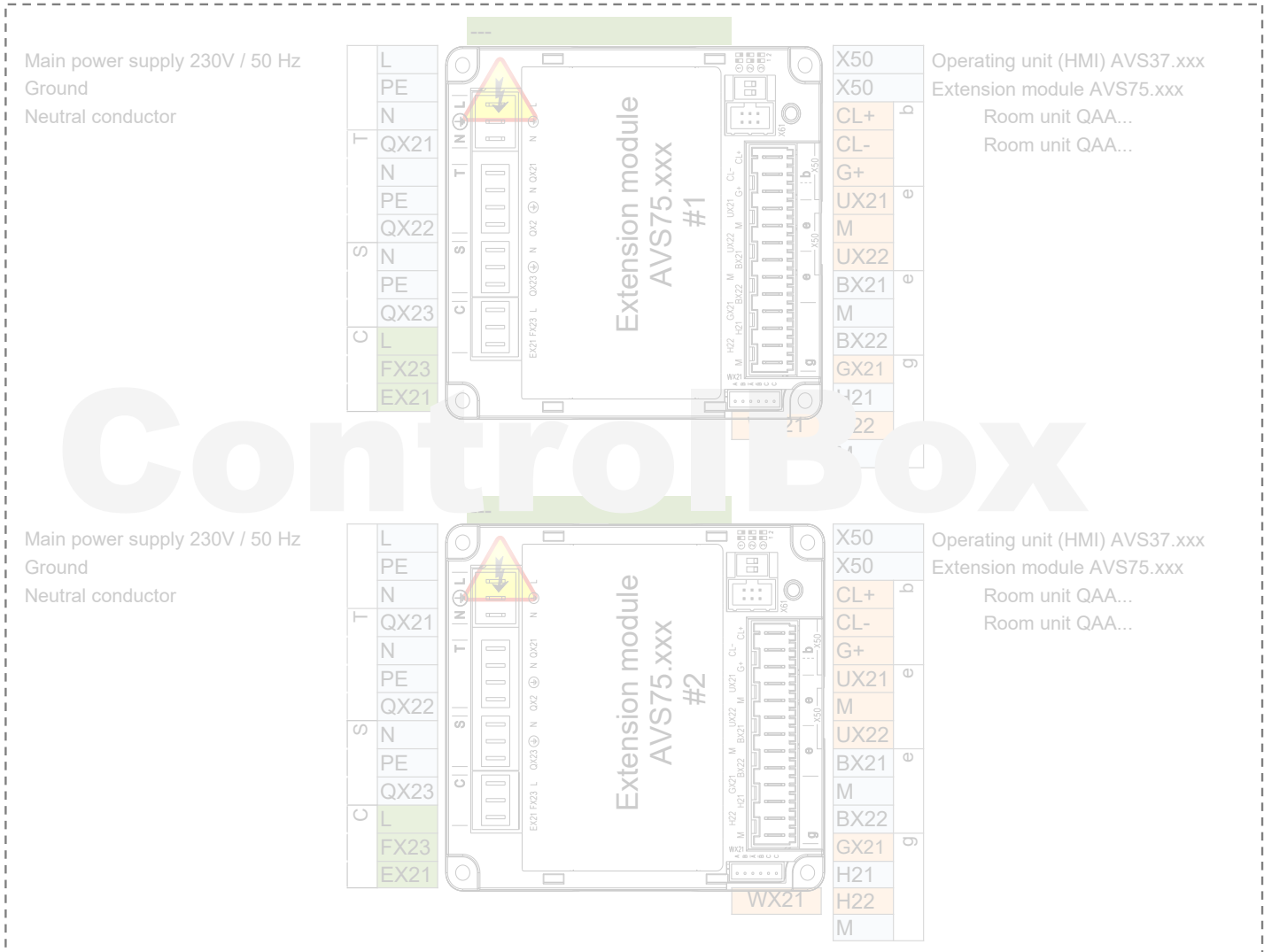
X10	1	L
X10	1	PE
X10	1	N
X110	1	QX31
X110	1	QX32
X110	1	N
X110	1	QX33
X110	1	N
X110	1	ZX34
X110	1	N
X115	1	QX35
X115	1	QX35i
X115	1	N

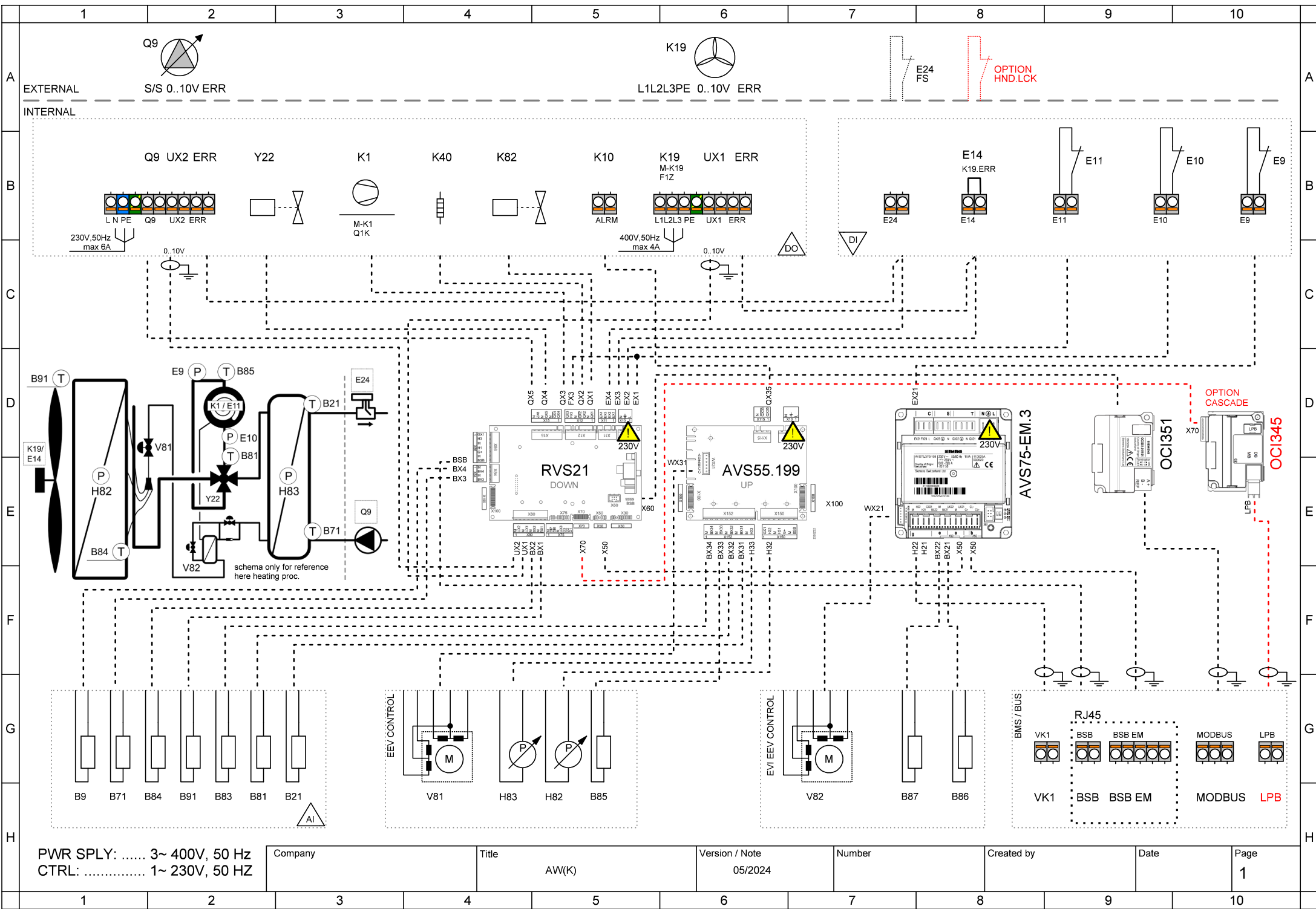


BSB
M
G+
H31
M
H32
GX1
H33
M
BX31
M
BX32
M
BX33
M
BX34
M

- 5 V/12 V for active sensors
- Flow measurement 10V
- Low pressure 0..10V
- 5 V/12 V for active sensors
- High pressure 0..10V
- B21 HP flow sensor B21
- B81 Hot-gas sensor B81
- B85 Suction gas sensor B85
- B83 Refrig sensor liquid B83

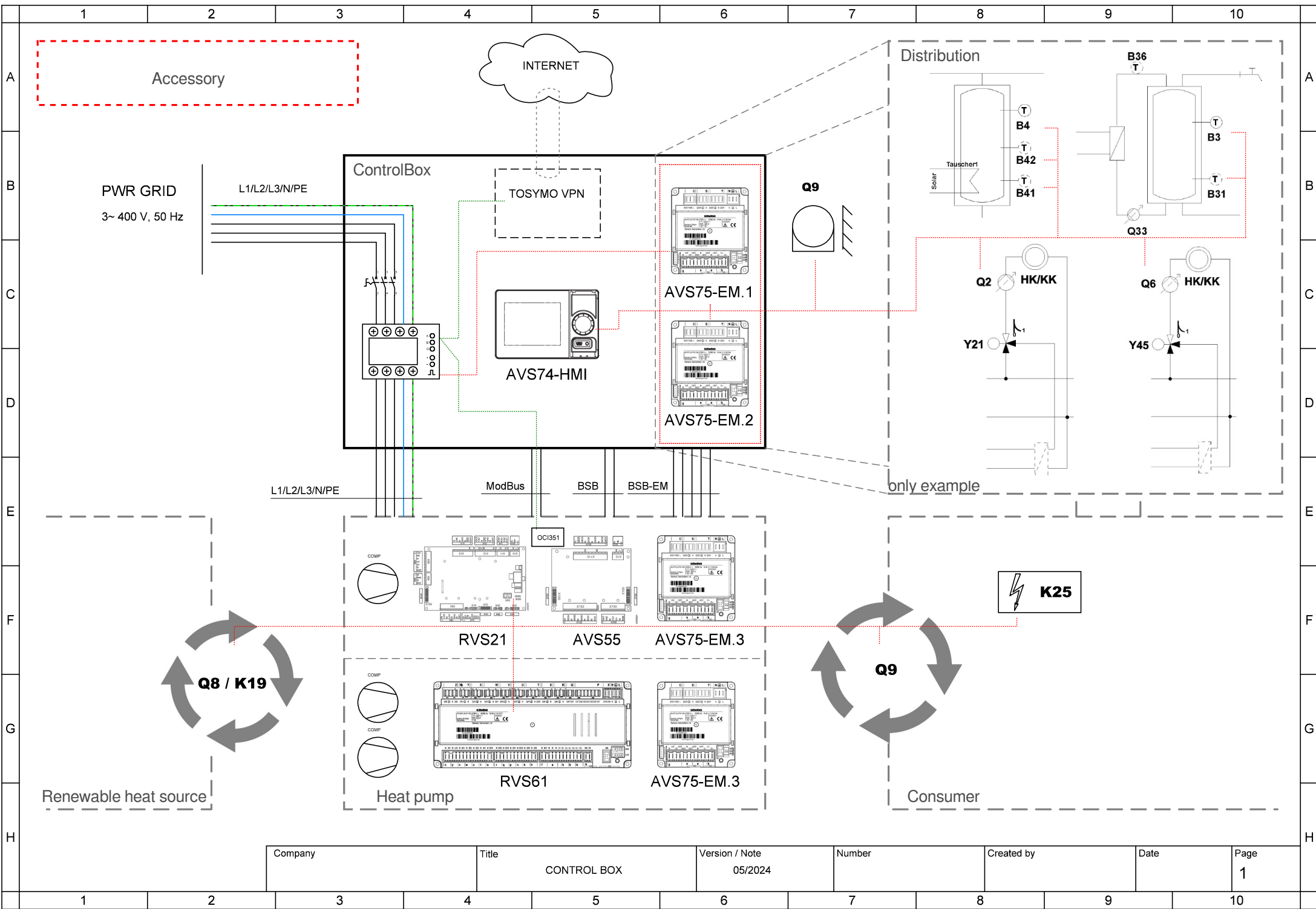
- AVS75.390
- AVS75.391
- AVS75.370



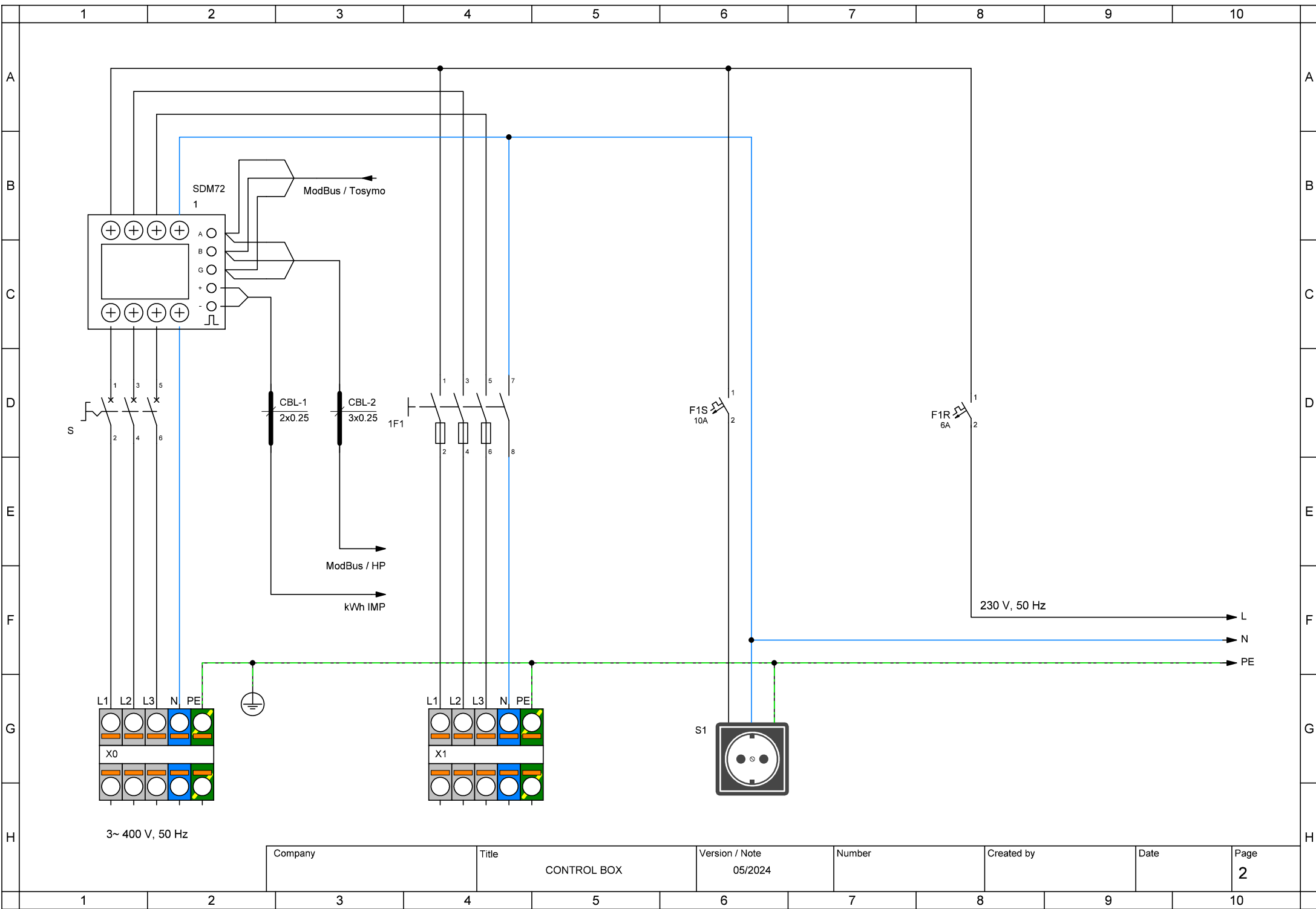


PWR SPLY: 3~ 400V, 50 Hz
 CTRL: 1~ 230V, 50 HZ

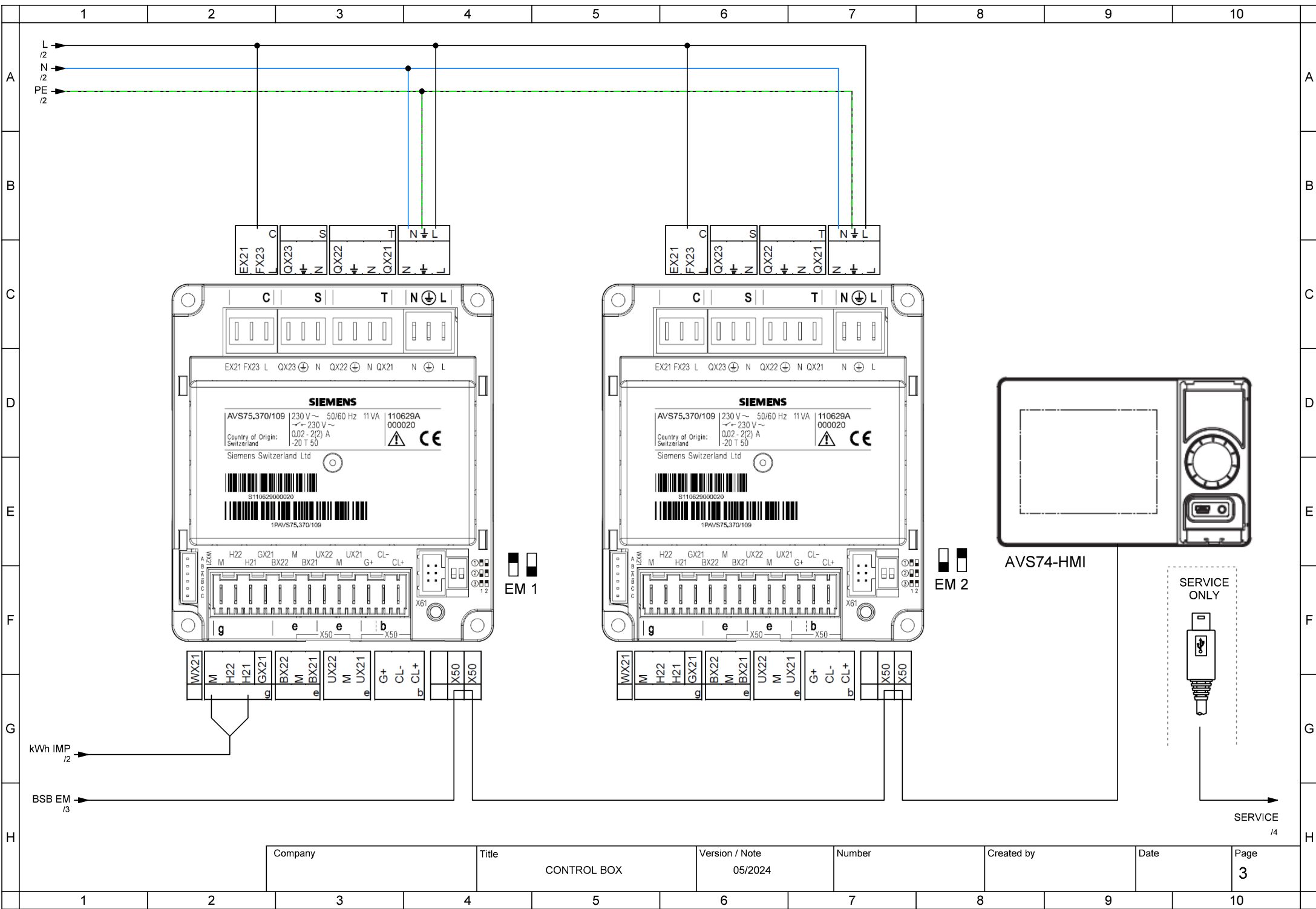
Company	Title	Version / Note	Number	Created by	Date	Page
	AW(K)	05/2024				1



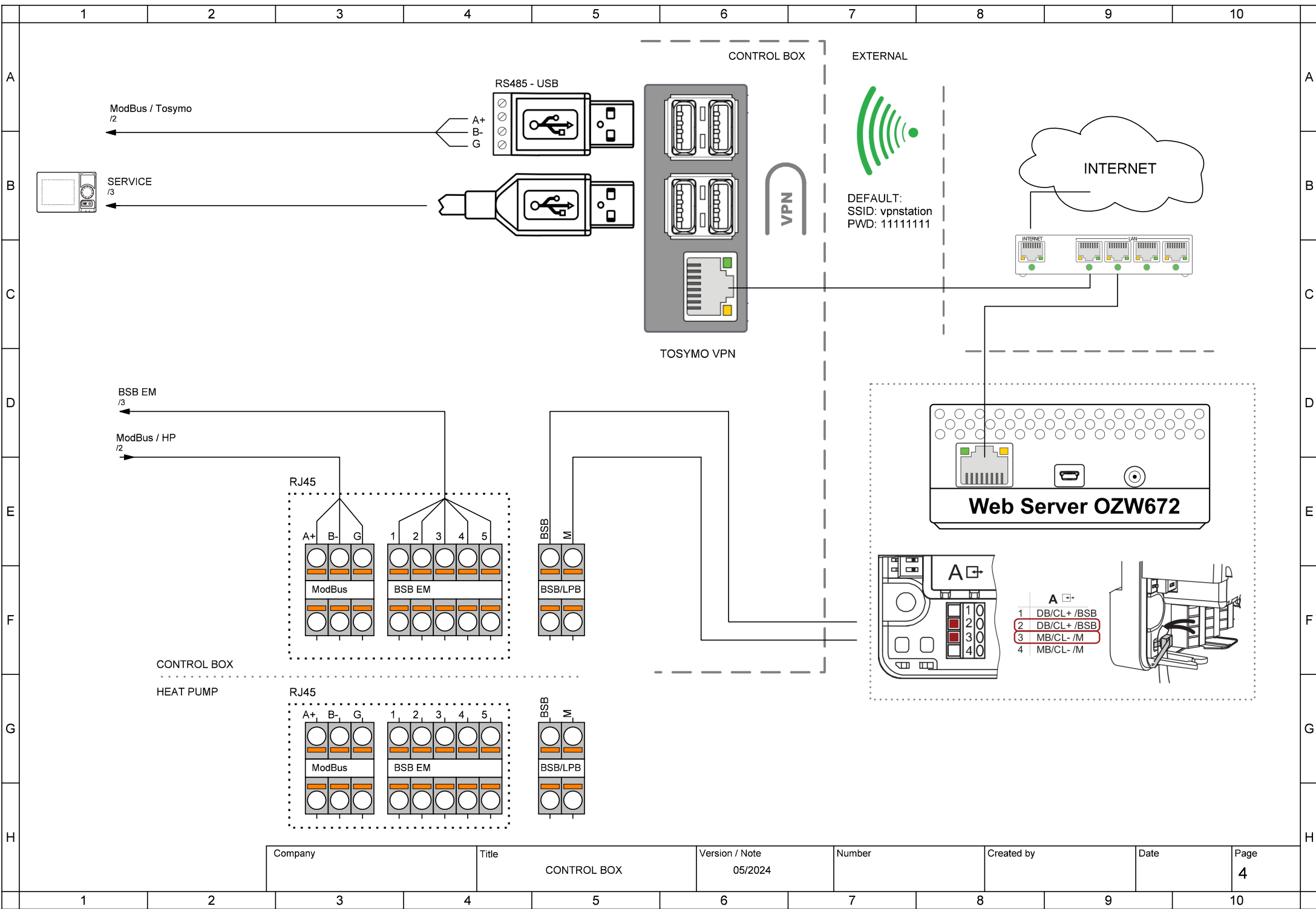
Company	Title	Version / Note	Number	Created by	Date	Page
	CONTROL BOX	05/2024				1



Company	Title	Version / Note	Number	Created by	Date	Page
	CONTROL BOX	05/2024				2



Company	Title	Version / Note	Number	Created by	Date	Page
	CONTROL BOX	05/2024				3



Company	Title	Version / Note	Number	Created by	Date	Page
	CONTROL BOX	05/2024				4

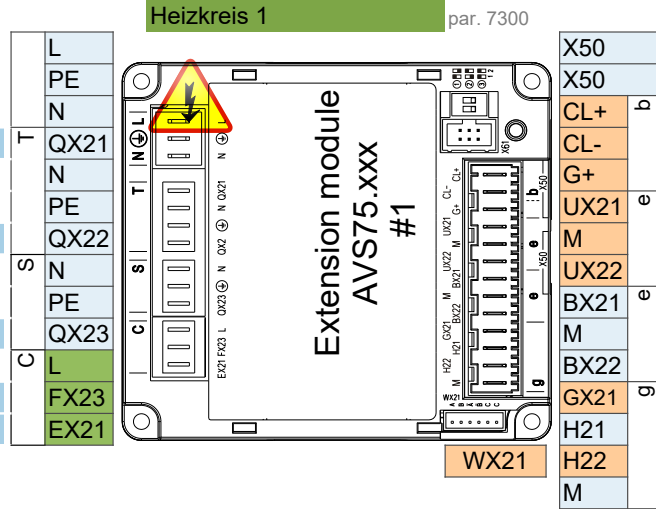
- AVS75.390
- AVS75.391
- AVS75.370

- AVS75.370**
 Main power supply 230V / 50 Hz
 Ground
 Neutral conductor
Y1 Mixing valve Open

Y2 Mixing valve Close

Q2 Heat circuit pump HC1 Q2

L Phase 230V
E61 Smart grid E61



- Extension module AVS75.xxx
 Room unit QAA...
 Room unit QAA...

B1 Flow sensor 1

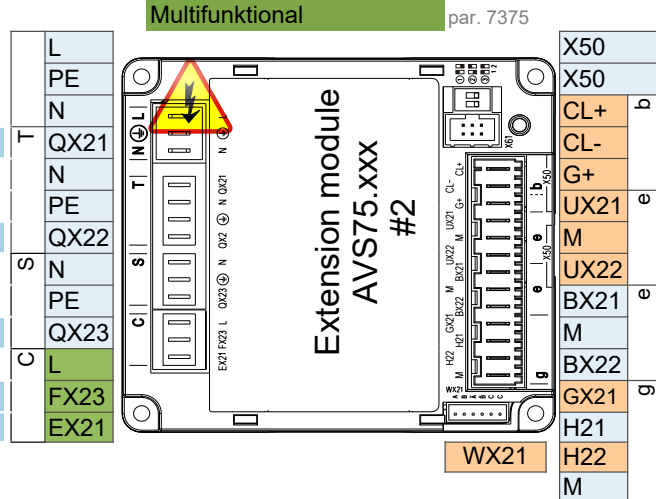
 Pulse count

- AVS75.370**
 Main power supply 230V / 50 Hz
 Ground
 Neutral conductor
Q3 DHW ctrl elem Q3

K6 El imm heater DHW K6

Q6 Heat circuit pump HC2 Q6

L Phase 230V
E62 Smart grid E62

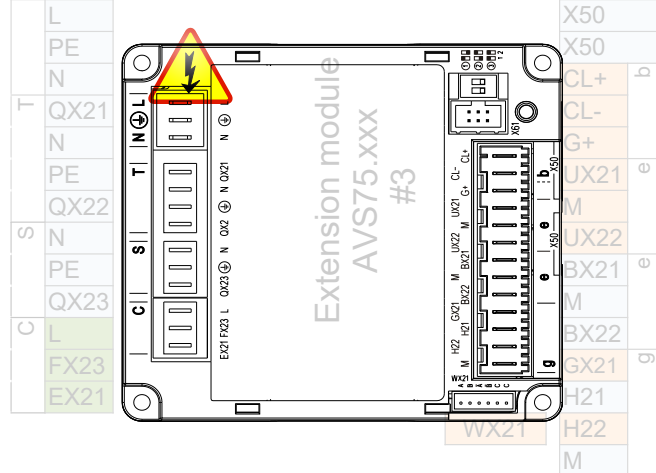


- Operating unit (HMI) AVS37.xxx
 Extension module AVS75.xxx
 Room unit QAA...
 Room unit QAA...

B3 DHW sensor B3

B4 Buffer sensor B4

- Main power supply 230V / 50 Hz
 Ground
 Neutral conductor



- Operating unit (HMI) AVS37.xxx
 Extension module AVS75.xxx
 Room unit QAA...
 Room unit QAA...

Attention: Extension module 3 is inside the heat pump

Control connection options

1 ControlBox

ControlBox, with two built-in extension modules, enables numerous options for application control on the consumer side behind the heat pump. For more, see the ControlBox schematic and the application diagrams sheet.

2 Fix flow temperature setpoint - On / Off dry (potential free) contact

2 wire shielded cable 2 x 0.5 mm² - Setpoint = 45°C (editable by param. 1859)

Connection terminal - see wiring diagram

3 Analog 0..10V flow temperature setpoint control

2 wire shielded cable 2 x 0.5 mm² - Setpoint: 0V = 16°C ~ 10V = 60°C (editable in parameter set)

Connection terminal - see wiring diagram

4 ModBus RTU communication command

3 wire shielded cable min. 3 x 0.25mm²

For ModBus mapping table contact technical support

5 MQTT IoT communication protocol

For more information contact technical support